



PRODUCT CATALOGUE

AUSTRALIAN DESIGNER FLOOR GRATES



CONTENTS

ABOUT US 3

BERMUDA FLOOR GRATES 5

BERMUDA 6

technical specification 8

BERMUDA MEGA 10

technical specification 14

BERMUDA FLIPPER 20

technical specification 24

BERMUDA LEAK CONTROL 28

technical specification 30

BERMUDA CHANNEL 32

technical specification 34

SQUARE ON SQUARE 37

technical specification 40

CLASSIC 41

technical specification 44

SS316 49

technical specification 50

ACCESSORIES 54



about us

Designed in Australia, Bounty Brassware floor grates are manufactured to exacting Australian standards using the latest computer controlled casting processes. As a result, we are able to deliver products of the highest quality that integrate beautifully into any bathroom.

The Bounty Brassware range includes our unique and stylish Bermuda range, the Bounty Classic collection, the superior quality and durability SS316 range and our new Square on Square wastes.

If your project is deserving of the ultimate finishing touch, then remember: Bounty Brassware is truly world class!

INTELLECTUAL PROPERTY

Many of our products are protected by their own registered designs, both in Australia and in foreign jurisdictions.

Our tile insert concept has very broad protection in Australia under the granted patent number **AU.2007203019** which does not expire until 2021.

Whilst the patent remains in force, we regard any copies of the tile insert concept to infringe and will take appropriate action as deemed under the licence.





BERMUDA

BERMUDA FLOOR GRATE

The flagship of the Bounty Brassware range, the Bermuda floor grate system is a simplistically discreet solution for any bathroom or wet area. Bermuda cleverly incorporates the selected floor tiles (or a feature tile) to blend beautifully with any environment. Water simply disappears from your bathroom / shower floor.

The broad range of Bermuda products ensures that there is a stylish option to compliment your new bathroom. The clever designs make for easy installation.



BERMUDA STANDARD

BERMUDA FLOOR GRATE

The standard Bermuda Floor Grate offers a choice of decorating options! The centre tile recess allows a coordinated tile to be at one with the surrounding floor tiles, in effect disappearing into the overall décor. Alternatively use the centre tile recess to highlight a feature tile or contrasting tile for a spectacular effect. Either way, water will simply and stylishly disappear in front of your very eyes.

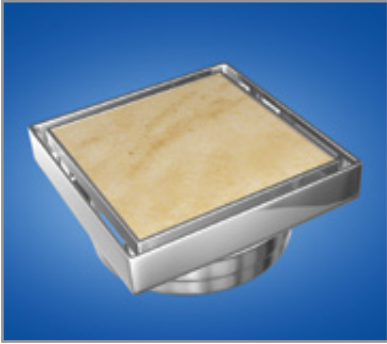
Available in 100mm and 80mm connection size, and also with 150mm x 150mm face dimension, each standard Bermuda Floor Grates comes with a stainless strainer.

The standard Bermuda floor grates are available in five different finishes:

- Chrome (standard)
- Satin Chrome
- Polished Brass
- Black Chrome
- Gold Plate



BERMUDA FLOOR GRATE (115mm x 115mm)



TECHNICAL SPECIFICATION

FLOW RATE:

100mm connection: > 105L/min
80mm connection: > 64L/min

MATERIAL(s):

Tile Insert: DZR Brass
Base: DZR Brass
Strainer*: Polypropylene

STANDARD FINISH: Chrome plate (ASTD 1192-2004)

APPROVAL:



PRODUCT CODE

100mm CONNECTION

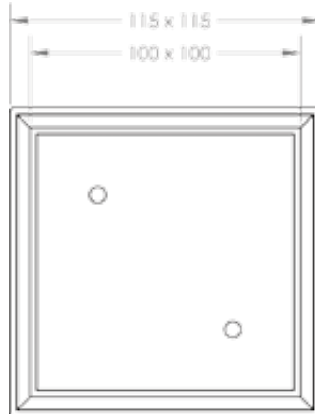
FWBER115100CP (chrome)
FWBER115100BC (black chrome)
FWBER115100SC (satin chrome)
FWBER115100GP (gold plate)
FWBER115100PB (polished brass)

80mm CONNECTION

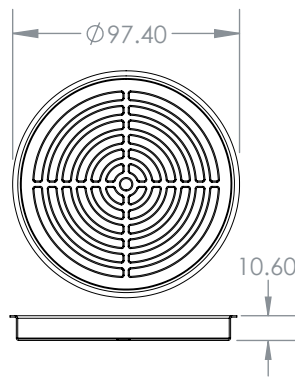
FWBER11580CP (chrome)
FWBER11580BC (black chrome)
FWBER11580SC (satin chrome)
FWBER11580GP (gold plate)
FWBER11580PB (polished brass)

RECOMMENDED
TILE INSERT DIMENSION:
95 x 95

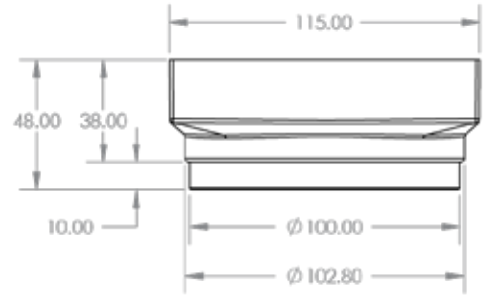
UNLESS OTHERWISE STATED
ALL DIMENSIONS IN MILLIMETRES



100mm BERMUDA STRAINER*

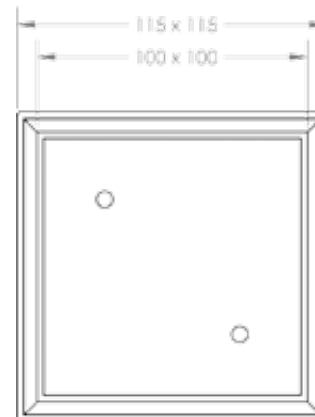


100mm CONNECTION

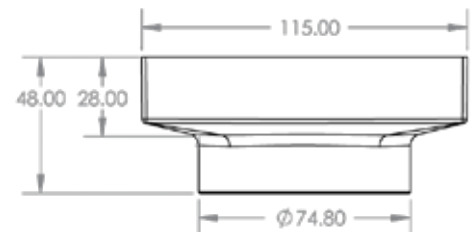
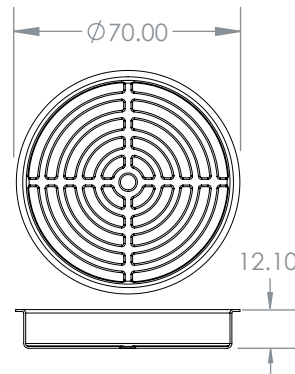


1 tile
2 tile insert
3 base
4 screed (mortar bed)
5 membrane
6 concrete slab
7 pipe

80mm CONNECTION

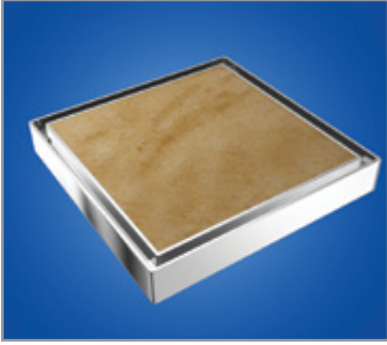


80mm BERMUDA STRAINER*



1 tile
2 tile insert
3 base
4 screed (mortar bed)
5 membrane
6 concrete slab
7 pipe

BERMUDA FLOOR GRATE (150mm x 150mm)



TECHNICAL SPECIFICATION

FLOW RATE:

100mm connection: > 70L/min
50mm connection: > 60L/min

MATERIAL(s):

Tile Insert: DZR Brass
Base: DZR Brass
Strainer*: Polypropylene

STANDARD FINISH: Chrome plate (ASTD 1192-2004)

APPROVAL:



PRODUCT CODE

100mm CONNECTION

FWBER150100CP (chrome)
FWBER150100BC (black chrome)
FWBER150100SC (satin chrome)
FWBER150100GP (gold plate)
FWBER150100PB (polished brass)

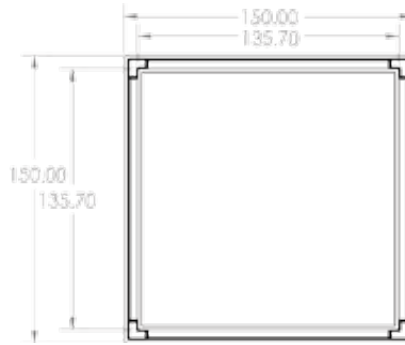
50mm CONNECTION

FWBER15050CP (chrome)
FWBER15050BC (black chrome)
FWBER15050SC (satin chrome)
FWBER15050GP (gold plate)
FWBER15050PB (polished brass)

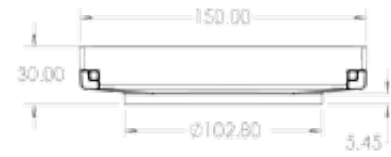
RECOMMENDED

TILE INSERT DIMENSION:
130 x 130

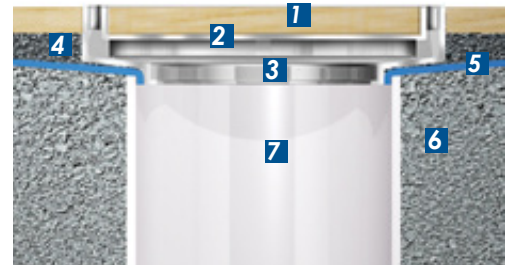
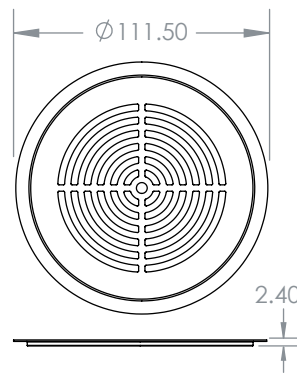
UNLESS OTHERWISE STATED
ALL DIMENSIONS IN MILLIMETRES



100mm CONNECTION

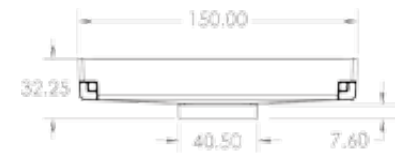
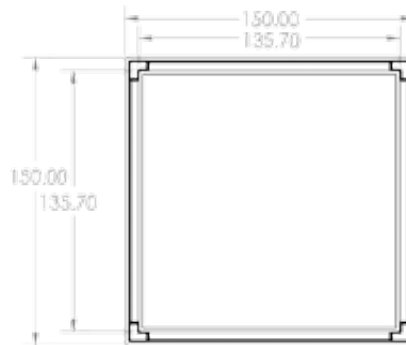


150mm BERMUDA STRAINER

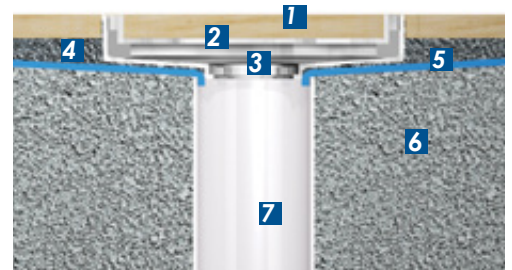
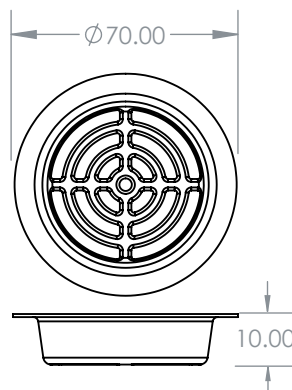


- 1 tile
- 2 tile insert
- 3 base
- 4 screed (mortar bed)
- 5 membrane
- 6 concrete slab
- 7 pipe

50mm CONNECTION



50mm BERMUDA STRAINER



- 1 tile
- 2 tile insert
- 3 base
- 4 screed (mortar bed)
- 5 membrane
- 6 concrete slab
- 7 pipe



BERMUDA MEGA

BERMUDA MEGA FLOOR GRATE

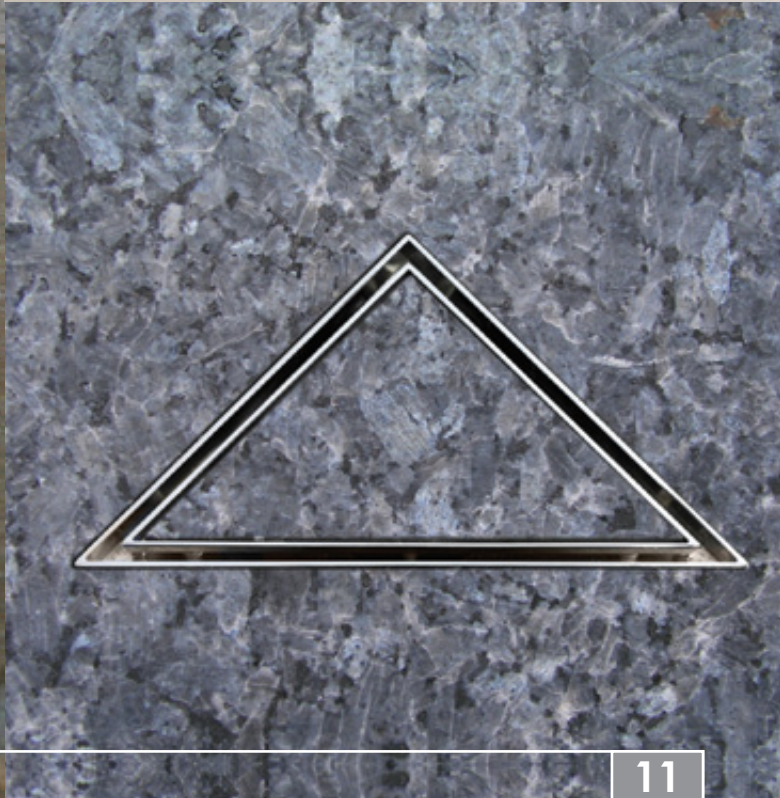
While offering the same exciting decorating options as the standard Bermuda Floor Grate, the Bermuda Mega Floor Grate adds our industry leading Megaflex leak control flange and undercap mortar exclusion device to the superior quality and aesthetics of the standard Bermuda Floor Grate, creating a total solution for your project.

Available in 100mm, 80mm and 50mm connection size, and also with 150mm x 150mm face dimension, each standard Bermuda Floor Grates comes with a stainless strainer.

The Bermuda Mega floor grates are available in 3 different shapes; square, round and triangle.

Also available in five different finishes:

- Chrome (standard)
- Satin Chrome
- Polished Brass
- Black Chrome
- Gold Plate

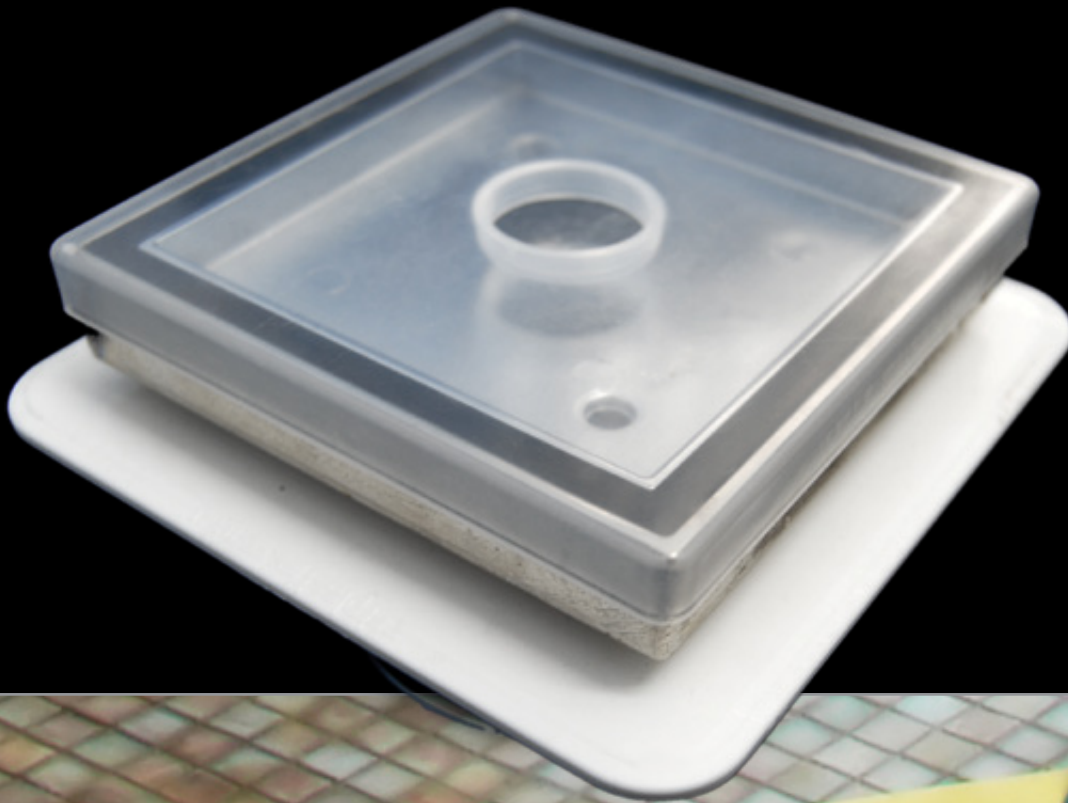




One of the recent addition to the Bermuda style floor grates is the new Round Bermuda, available as a Mega floor grate and Leak Control floor grate.



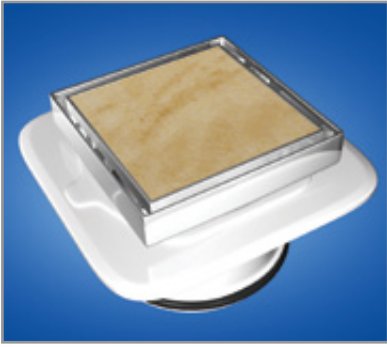
Our innovative Megaflex flange allows height and tilt adjustments for a perfect installation every time, while the undercap tear out section stops mortar and dirt from clogging the pipes. The Megaflex flange securely enables positive engagement with your waterproof membrane for total peace of mind.



All of our square Bermuda Mega floor grates come with a Polypropylene cover to protect the grate during installation. The cover also serves to create a recess for tile grout to be inserted after the installation of the grate.



BERMUDA MEGA SQUARE FLOOR GRATE



TECHNICAL SPECIFICATION

FLOW RATES:

- 100mm Connection: >105L/min
- 80mm Connection: >90L/min
- 50mm Connection: >60L/min

MATERIAL(s):

- Tile Insert: DZR Brass
- Base: DZR Brass
- Megaflex Base: A.B.S.

STANDARD FINISH: Chrome plate (ASTD 1192-2004)

APPROVAL:



PRODUCT CODE

100mm CONNECTION

- FWBERMEGA100CP (chrome)
- FWBERMEGA100BC (black chrome)
- FWBERMEGA100SC (satin chrome)
- FWBERMEGA100GP (gold plate)
- FWBERMEGA100PB (polished brass)

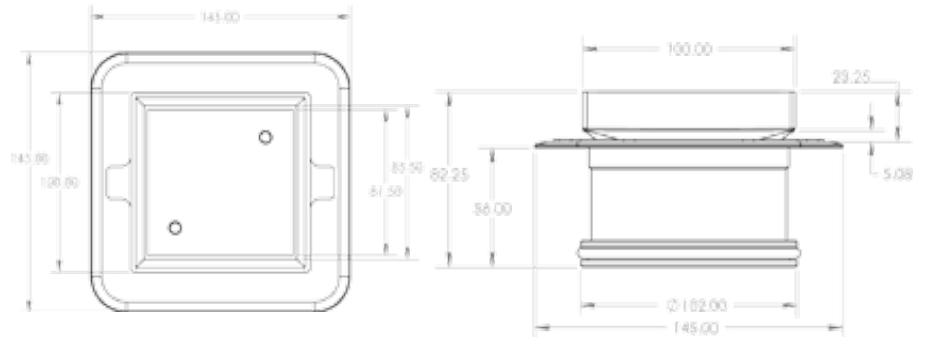
80mm CONNECTION

- FWBERMEGA80CP (chrome)
- FWBERMEGA80BC (black chrome)
- FWBERMEGA80SC (satin chrome)
- FWBERMEGA80GP (gold plate)
- FWBERMEGA80PB (polished brass)

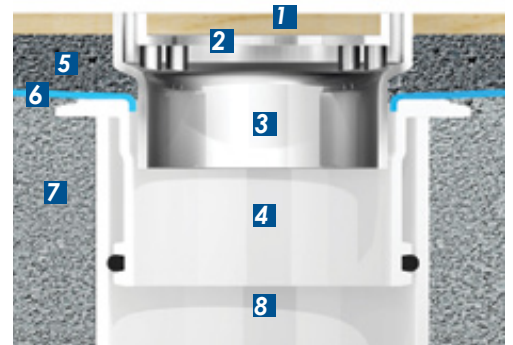
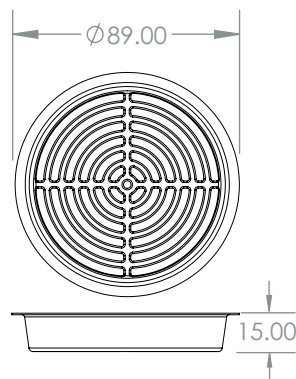
RECOMMENDED
TILE INSERT DIMENSION:
80 x 80

UNLESS OTHERWISE STATED
ALL DIMENSIONS IN MILLIMETRES

100mm CONNECTION

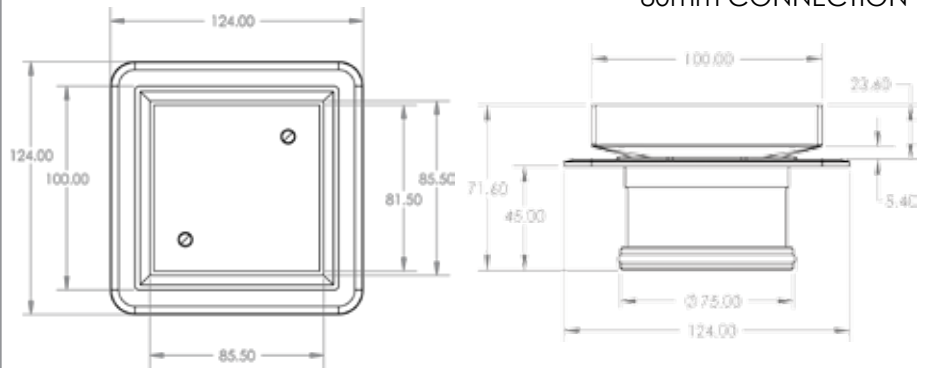


100mm BERMUDA MEGA STRAINER

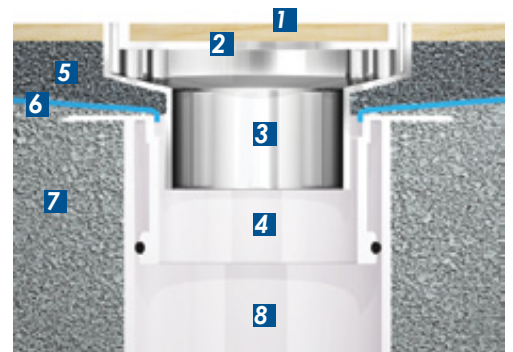
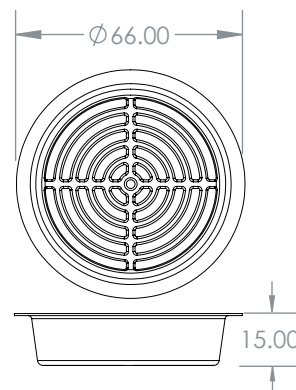


- 1 tile
- 2 tile insert
- 3 base
- 4 Megaflex base
- 5 screed (mortar bed)
- 6 membrane
- 7 concrete slab
- 8 pipe

80mm CONNECTION



80mm BERMUDA MEGA STRAINER



- 1 tile
- 2 tile insert
- 3 base
- 4 Megaflex base
- 5 screed (mortar bed)
- 6 membrane
- 7 concrete slab
- 8 pipe

PRODUCT CODE

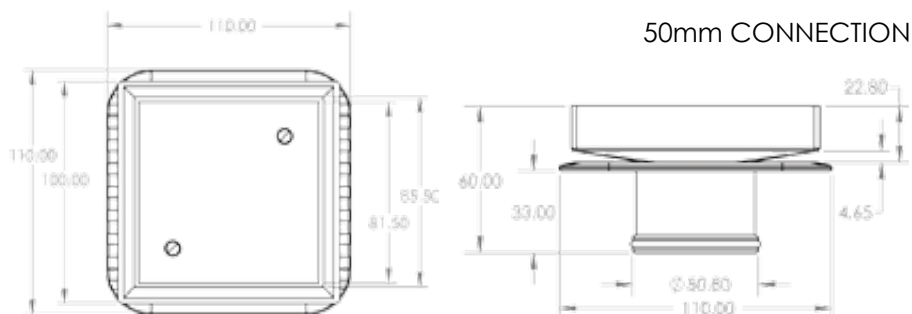
50mm CONNECTION

FWBERMEGA50CP (chrome)
 FWBERMEGA50BC (black chrome)
 FWBERMEGA50SC (satin chrome)
 FWBERMEGA50GP (gold plate)
 FWBERMEGA50PB (polished brass)

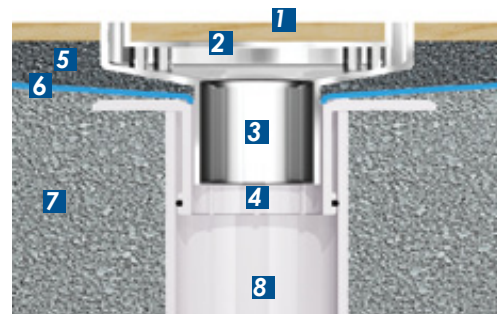
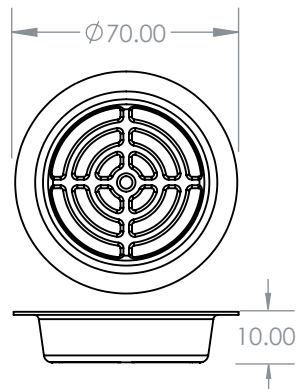
RECOMMENDED

TILE INSERT DIMENSION:
 80 x 80

UNLESS OTHERWISE STATED
 ALL DIMENSIONS IN MILLIMETRES

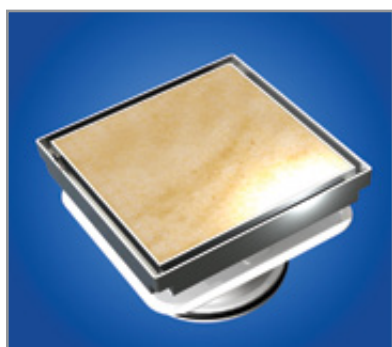


50mm BERMUDA MEGA STRAINER



- | | | |
|---------------|-----------------------|------------|
| 1 tile | 4 Megaflex base | 7 concrete |
| 2 tile insert | 5 screed (mortar bed) | 8 pipe |
| 3 waste body | 6 membrane | |

BERMUDA MEGA SQUARE FLOOR GRATE (150mm x 150mm)



TECHNICAL SPECIFICATION

FLOW RATE: >70L/min

MATERIAL(s):

Tile Insert: DZR Brass
 Body: DZR Brass
 Undercap: Polypropylene
 Megaflex Base: A.B.S.

STANDARD FINISH: Chrome plate
 (ASTD 1192-2004)

APPROVAL:



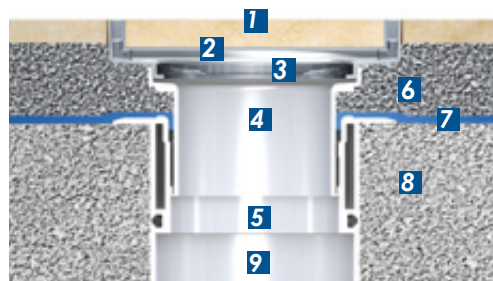
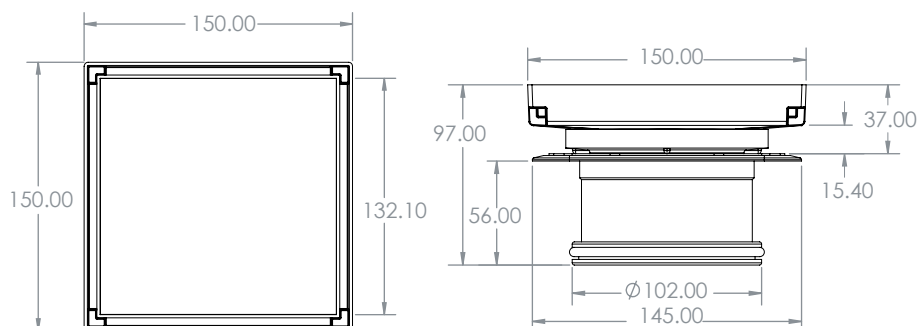
PRODUCT CODE

FWBERMEGA150100CP (chrome)
 FWBERMEGA150100BC (black chrome)
 FWBERMEGA150100SC (satin chrome)
 FWBERMEGA150100GP (gold plate)
 FWBERMEGA150100PB (polished brass)

RECOMMENDED

TILE INSERT DIMENSION: 130 x 130

100mm CONNECTION



- | | | |
|---------------|-----------------------|-----------------|
| 1 tile | 4 undercap | 7 membrane |
| 2 tile insert | 5 Megaflex base | 8 concrete slab |
| 3 waste body | 6 screed (mortar bed) | 9 pipe |

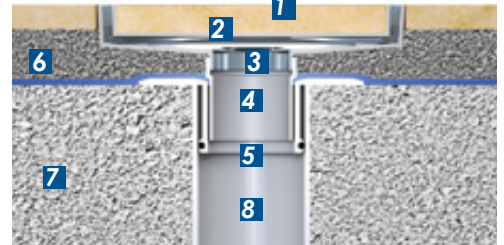
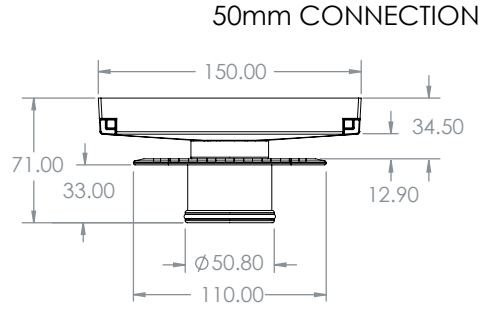
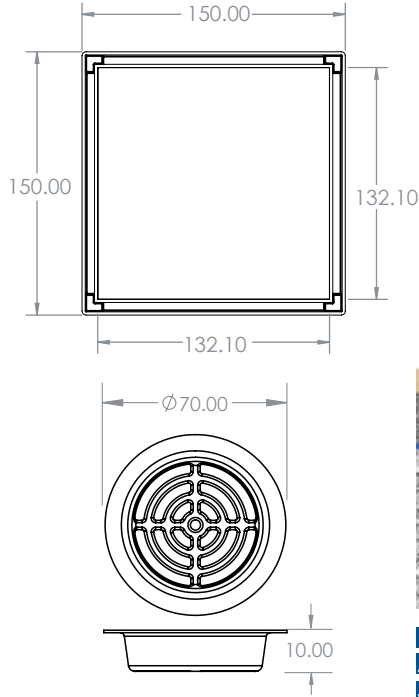
PRODUCT CODE

50mm CONNECTION

- FWBERMEGA15050CP (chrome)
- FWBERMEGA15050BC (black chrome)
- FWBERMEGA15050SC (satin chrome)
- FWBERMEGA15050GP (gold plate)
- FWBERMEGA15050PB (polished brass)

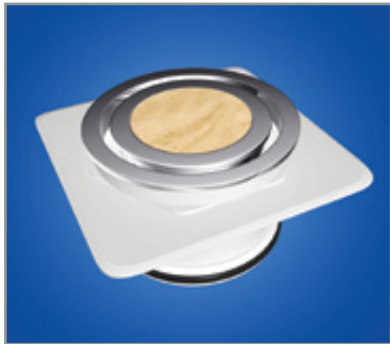
RECOMMENDED
TILE INSERT DIMENSION:
130 x 130

UNLESS OTHERWISE STATED
ALL DIMENSIONS IN MILLIMETRES



- 1 tile
- 2 tile insert
- 3 base
- 4 undercap
- 5 Megaflex base
- 6 screed (mortar bed)
- 7 concrete
- 8 pipe

BERMUDA MEGA ROUND FLOOR GRATE



TECHNICAL SPECIFICATION

FLOW RATE: >60L/min

MATERIAL(s):

- Tile Insert: DZR Brass
- Body: DZR Brass
- Undercap: Polypropylene
- Megaflex Base: A.B.S.

STANDARD FINISH: Chrome plate (ASTD 1192-2004)

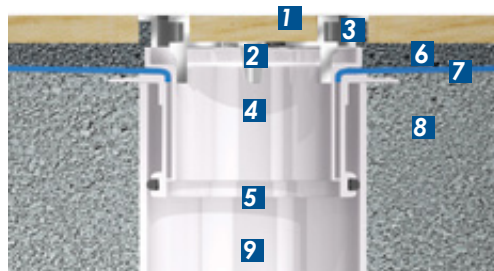
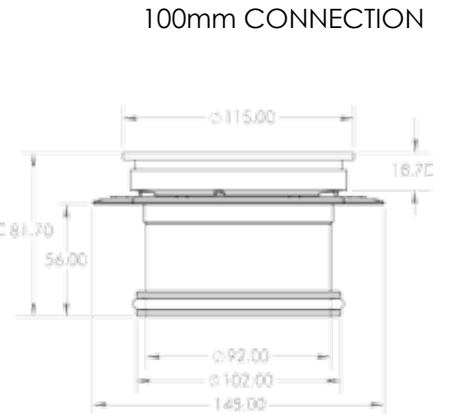
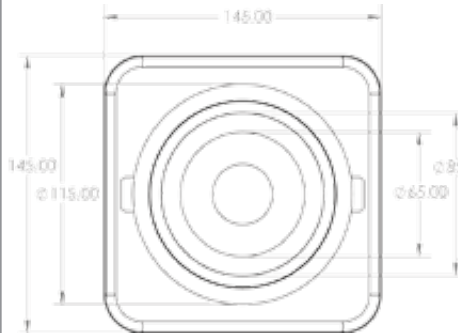
APPROVAL:



PRODUCT CODE

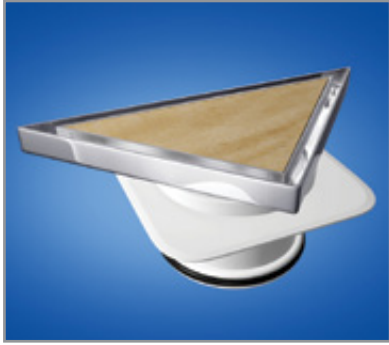
- FWBERMEGARD100CP (chrome)
- FWBERMEGARD100BC (black chrome)
- FWBERMEGARD100SC (satin chrome)
- FWBERMEGARD100GP (gold plate)
- FWBERMEGARD100PB (polished brass)

RECOMMENDED
TILE INSERT DIMENSION: Ø 65



- 1 tile
- 2 tile insert
- 3 waste body
- 4 undercap
- 5 Megaflex base
- 6 screed (mortar bed)
- 7 membrane
- 8 concrete slab
- 9 pipe

BERMUDA MEGA TRIANGLE FLOOR GRATE



TECHNICAL SPECIFICATION

FLOW RATES

100mm Connection: >50L/min
80mm Connection: >45L/min

MATERIAL(s):

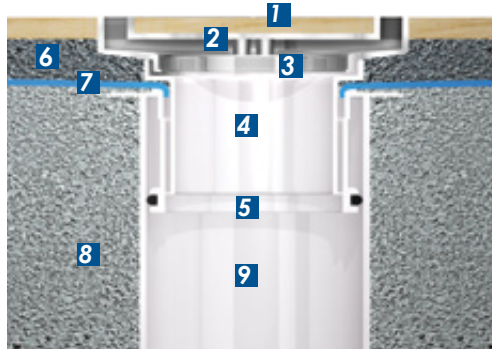
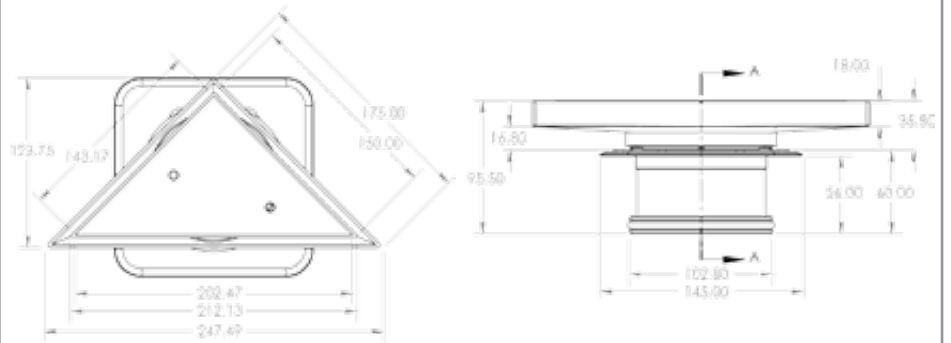
Tile Insert: DZR Brass
Base: DZR Brass
Connector: Polypropylene
Megaflex Base: A.B.S.

STANDARD FINISH: Chrome plate (ASTD 1192-2004)

APPROVAL:

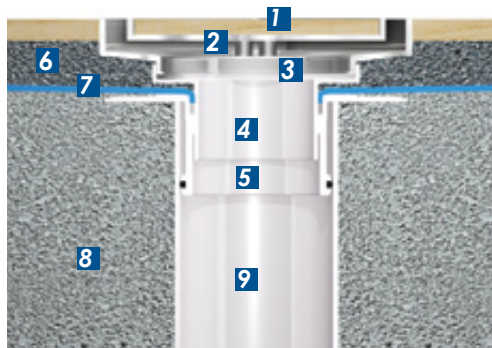
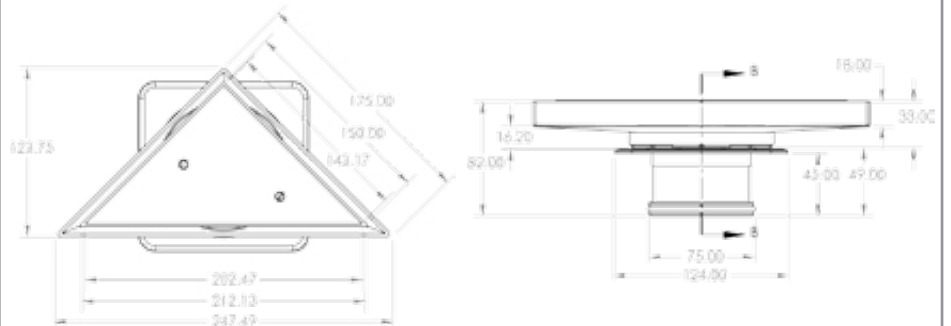


100mm CONNECTION



- | | | |
|---------------|-----------------------|-----------------|
| 1 tile | 4 connector | 7 membrane |
| 2 tile insert | 5 Megaflex base | 8 concrete slab |
| 3 base | 6 screed (mortar bed) | 9 pipe |

80mm CONNECTION



- | | | |
|---------------|-----------------------|-----------------|
| 1 tile | 4 connector | 7 membrane |
| 2 tile insert | 5 Megaflex base | 8 concrete slab |
| 3 base | 6 screed (mortar bed) | 9 pipe |

PRODUCT CODE

100mm CONNECTION

FWBERMEGATRI100CP (chrome)
FWBERMEGATRI100BC (black chrome)
FWBERMEGATRI100SC (satin chrome)
FWBERMEGATRI100GP (gold plate)
FWBERMEGATRI100PB (polished brass)

80mm CONNECTION

FWBERMEGATRI80CP (chrome)
FWBERMEGATRI80BC (black chrome)
FWBERMEGATRI80SC (satin chrome)
FWBERMEGATRI80GP (gold plate)
FWBERMEGATRI80PB (polished brass)

RECOMMENDED
TILE INSERT DIMENSION:
135 x 135 (1/2)

UNLESS OTHERWISE STATED
ALL DIMENSIONS IN MILLIMETRES

BERMUDA ROUND FLOOR GRATE



TECHNICAL SPECIFICATION

FLOW RATES:

- 100mm Connection: >105L/min
- 80mm Connection: >90L/min
- 50mm Connection: >60L/min

MATERIAL(s):

- Tile Insert: DZR Brass
- Base: DZR Brass
- Megaflex Base: A.B.S.

STANDARD FINISH: Chrome plate (ASTD 1192-2004)

APPROVAL: 

PRODUCT CODE

100mm CONNECTION

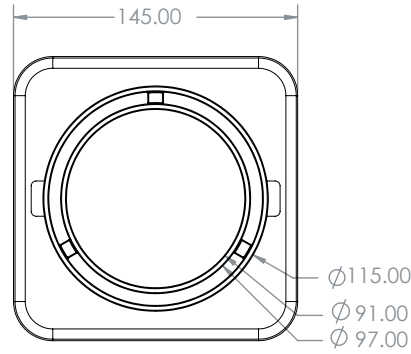
- FWBERMEGARND100CP (chrome)
- FWBERMEGARND100BC (black chrome)
- FWBERMEGARND100SC (satin chrome)
- FWBERMEGARND100GP (gold plate)
- FWBERMEGARND100PB (polished brass)

80mm CONNECTION

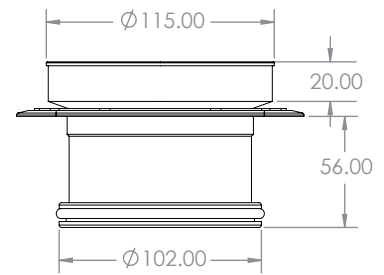
- FWBERMEGARND80CP (chrome)
- FWBERMEGARND80BC (black chrome)
- FWBERMEGARND80SC (satin chrome)
- FWBERMEGARND80GP (gold plate)
- FWBERMEGARND80PB (polished brass)

RECOMMENDED TILE INSERT DIMENSION:
Ø 89

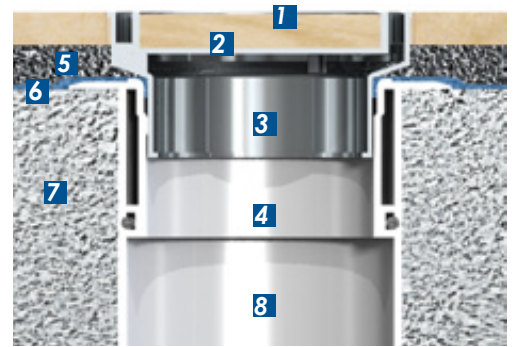
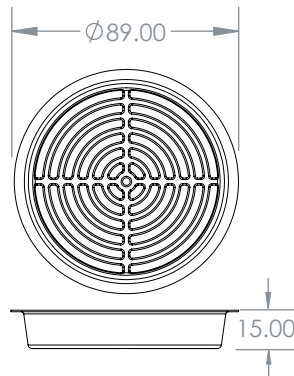
UNLESS OTHERWISE STATED
ALL DIMENSIONS IN MILLIMETRES



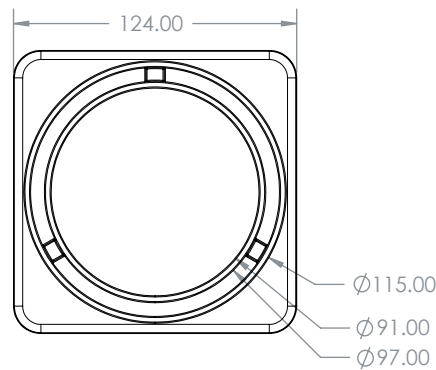
100mm CONNECTION



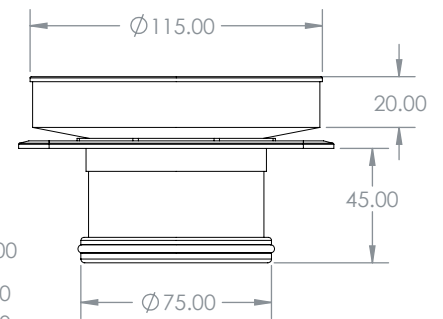
100mm BERMUDA MEGA STRAINER



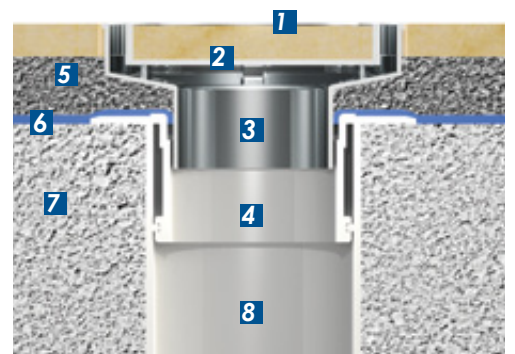
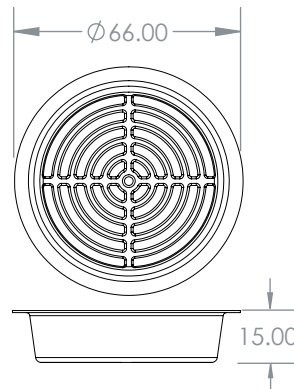
- 1 tile
- 2 tile insert
- 3 base
- 4 Megaflex base
- 5 screed (mortar bed)
- 6 membrane
- 7 concrete slab
- 8 pipe



80mm CONNECTION



80mm BERMUDA MEGA STRAINER



- 1 tile
- 2 tile insert
- 3 base
- 4 Megaflex base
- 5 screed (mortar bed)
- 6 membrane
- 7 concrete slab
- 8 pipe

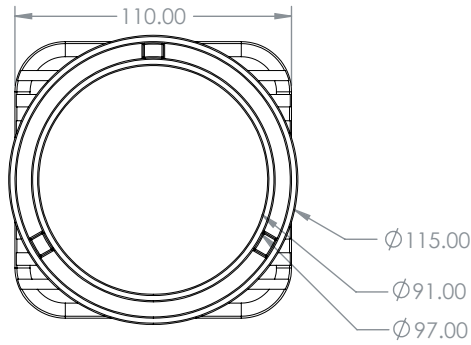
PRODUCT CODE

50mm CONNECTION

- FWBERMEGARND50CP (chrome)
- FWBERMEGARND50BC (black chrome)
- FWBERMEGARND50SC (satin chrome)
- FWBERMEGARND50GP (gold plate)
- FWBERMEGARND50PB (polished brass)

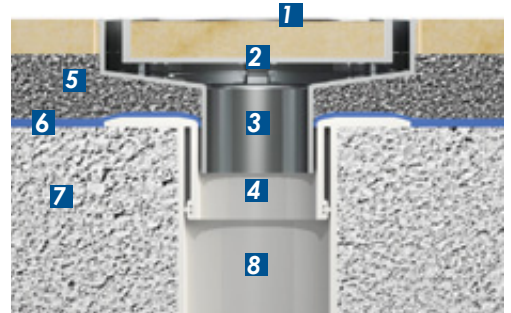
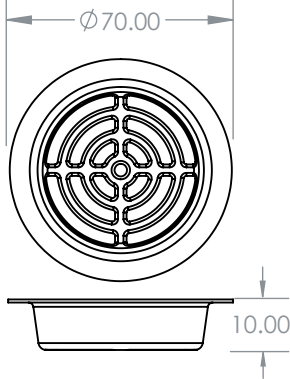
RECOMMENDED
TILE INSERT DIMENSION:
Ø 89

UNLESS OTHERWISE STATED
ALL DIMENSIONS IN MILLIMETRES



50mm CONNECTION

50mm BERMUDA MEGA STRAINER



- | | | |
|---------------|-----------------------|------------|
| 1 tile | 4 Megaflex base | 7 concrete |
| 2 tile insert | 5 screed (mortar bed) | 8 pipe |
| 3 waste body | 6 membrane | |



BERMUDA FLIPPER

BERMUDA FLIPPER FLOOR GRATE

Building on the options of the standard Bermuda Floor Grate, the Bermuda Flipper with its flippable tile insert adds another level of decorating freedom, making it even easier to create either a coordinated look or a stylish contrasting effect.

Available in 100mm, 80mm and 50mm connection size, and also with 150mm x 150mm face dimension, each standard Bermuda Floor Grates comes with a stainless strainer.

The Bermuda Mega floor grates are available in 3 different shapes; square, round and triangle.

Also available in five different finishes:

- Chrome (standard)
- Satin Chrome
- Polished Brass
- Black Chrome
- Gold Plate

The Bermuda Flipper Floor Grates are available with our Megaflex leak control flange.





Bounty Bermuda Flipper floor grates are available in five different finishes:

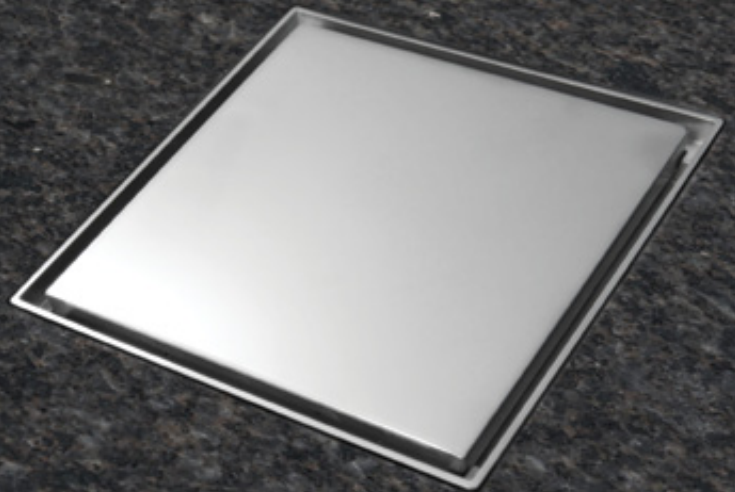
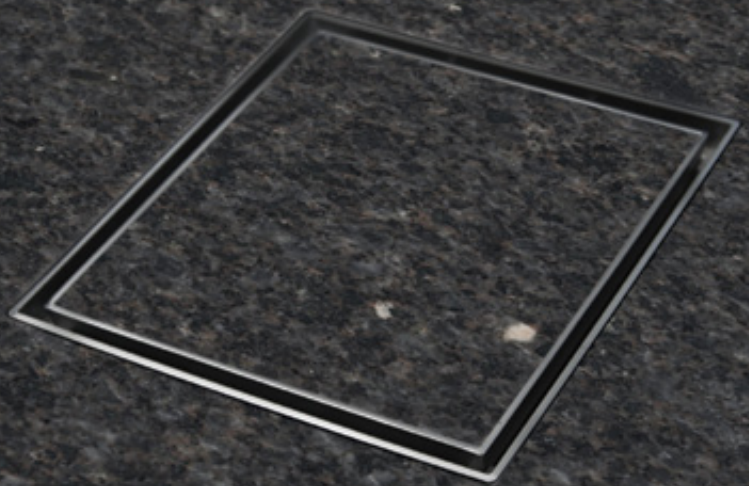
- Satin Chrome (Standard)
- Chrome
- Polished Brass
- Black Chrome
- Gold Plate

BESPOKE SERVICE

For our most discerning clients, we offer our bespoke service.

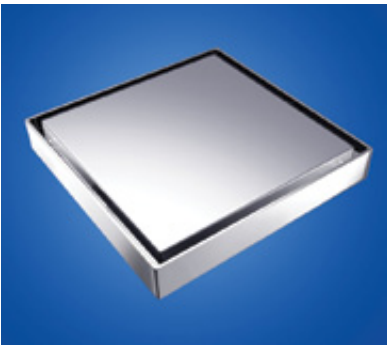
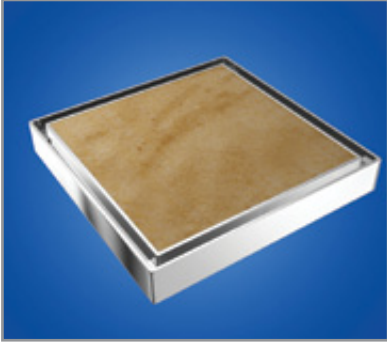
The Bermuda Flipper Floor Grate provides a blank canvas to realize your most ambitious designs. We can work with your designers to achieve a unique look in keeping with your project.

Using state of the art technology, we are able to etch any logo or insignia onto the face of the Bermuda Flipper Floor Grate. Limited only by your imagination, the result is a truly distinguished look for your project.

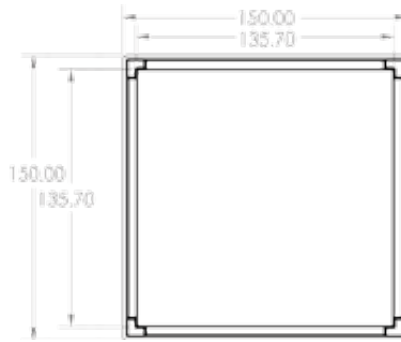
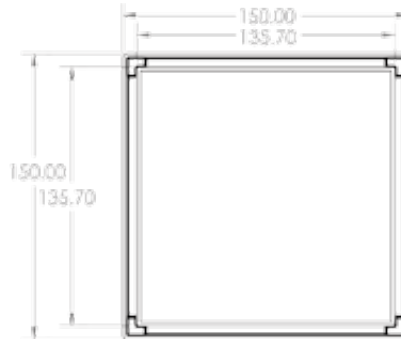


BERMUDA FLIPPER FLOOR GRATE

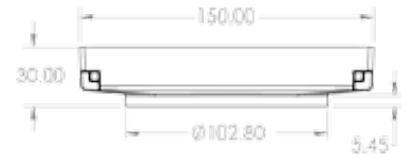
100mm CONNECTION



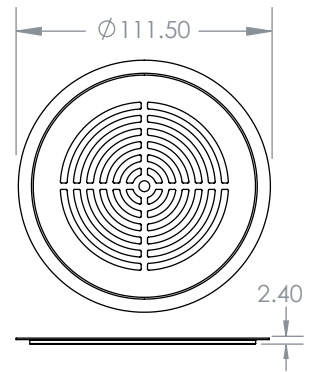
FLIPPED TILE INSERT



FLIPPED TILE INSERT



100mm BERMUDA STRAINER*



TECHNICAL SPECIFICATION

FLOW RATE:

100mm connection: > 70L/min

MATERIAL(s):

Tile Insert: DZR Brass
 Base: DZR Brass
 Strainer*: Polypropylene

STANDARD FINISH: Chrome Plated (ASTD 1192-2004)

APPROVAL:



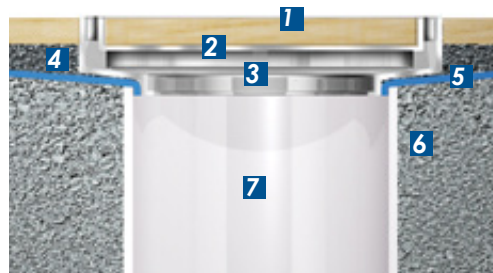
PRODUCT CODE

100mm CONNECTION

FWBERFLIP100CP (chrome plated)
 FWBERFLIP100BC (black chrome)
 FWBERFLIP100SC (satin chrome)
 FWBERFLIP100GP (gold plate)
 FWBERFLIP100PB (polished brass)

RECOMMENDED
 TILE INSERT DIMENSION:
 130 x 130

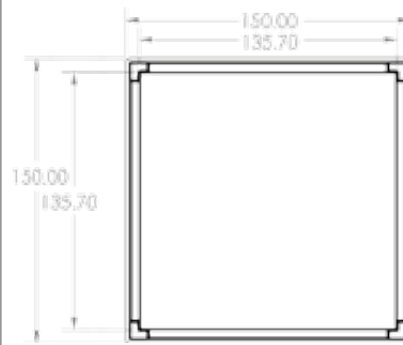
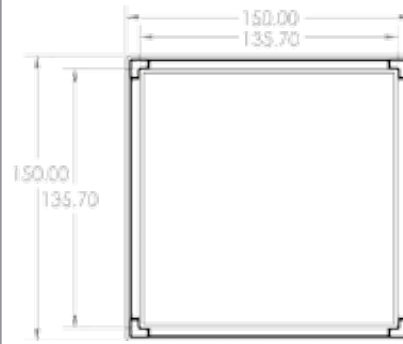
UNLESS OTHERWISE STATED
 ALL DIMENSIONS IN MILLIMETRES



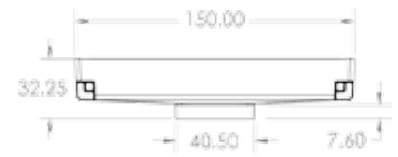
FLIPPED TILE INSERT

- 1** tile
- 2** tile insert
- 3** base
- 4** screed (mortar bed)
- 5** membrane
- 6** concrete slab
- 7** pipe

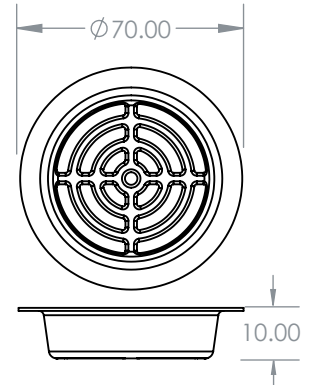
50mm CONNECTION



FLIPPED TILE INSERT



50mm BERMUDA MEGA STRAINER



TECHNICAL SPECIFICATION

FLOW RATE:

50mm connection: > 60L/min

MATERIAL(s):

Tile Insert: DZR Brass
Base: DZR Brass
Strainer*: Polypropylene

STANDARD FINISH: Chrome Plated
(ASTD 1192-2004)

PRODUCT CODE

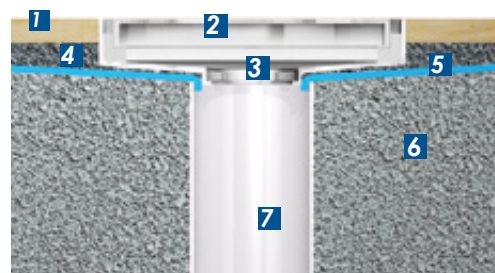
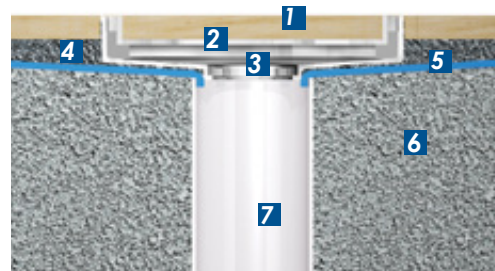
50mm CONNECTION

FWBERFLIP50CP (chrome plated)
FWBERFLIP50BC (black chrome)
FWBERFLIP50SC (satin chrome)
FWBERFLIP50GP (gold plate)
FWBERFLIP50PB (polished brass)

RECOMMENDED

TILE INSERT DIMENSION:
130 x 130

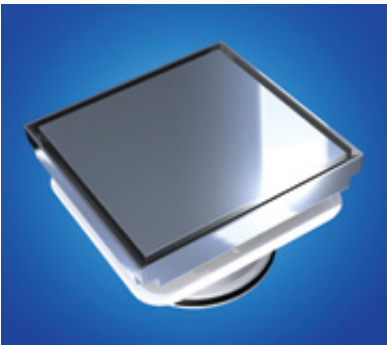
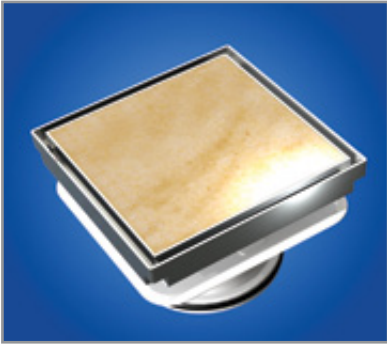
UNLESS OTHERWISE STATED
ALL DIMENSIONS IN MILLIMETRES



FLIPPED TILE INSERT

- | | | |
|---------------|-----------------------|--------|
| 1 tile | 4 screed (mortar bed) | 7 pipe |
| 2 tile insert | 5 membrane | |
| 3 base | 6 concrete slab | |

BERMUDA FLIPPER FLOOR GRATE



FLIPPED TILE INSERT

TECHNICAL SPECIFICATION

FLOW RATE:

100mm connection: > 70L/min

MATERIAL(s):

Tile Insert: DZR Brass
 Base: DZR Brass
 Strainer*: Polypropylene

STANDARD FINISH: Chrome Plated (ASTD 1192-2004)

APPROVAL:



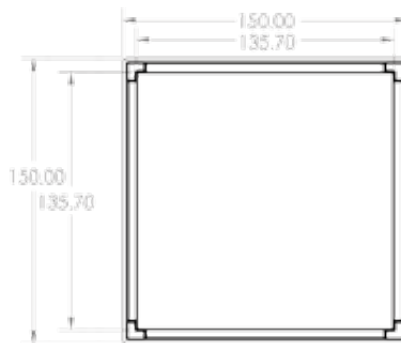
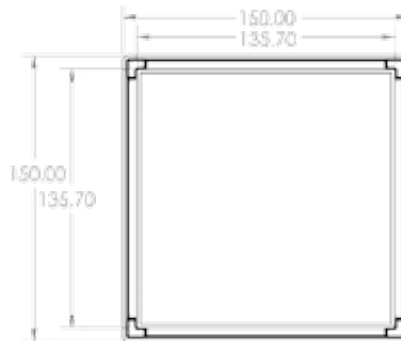
PRODUCT CODE

100mm CONNECTION

- FWBERMEGAFLIP100CP (chrome)
- FWBERMEGAFLIP100BC (black chrome)
- FWBERMEGAFLIP100SC (satin chrome)
- FWBERMEGAFLIP100GP (gold plate)
- FWBERMEGAFLIP100PB (polished brass)

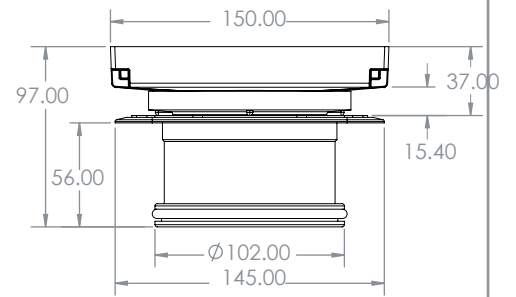
RECOMMENDED
 TILE INSERT DIMENSION:
 130 x 130

UNLESS OTHERWISE STATED
 ALL DIMENSIONS IN MILLIMETRES

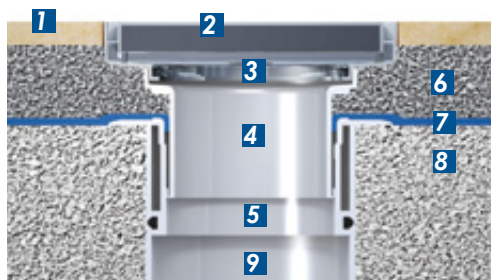
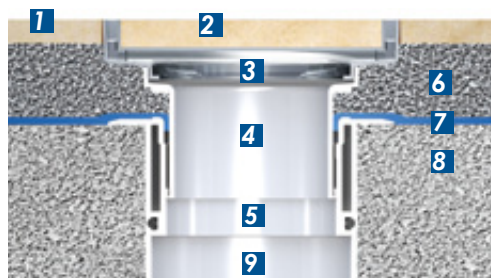
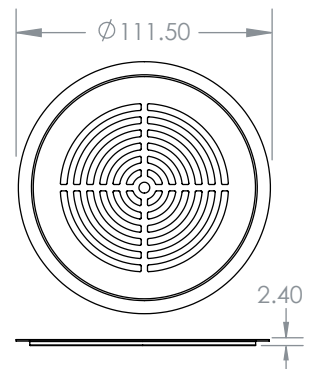


FLIPPED TILE INSERT

100mm CONNECTION



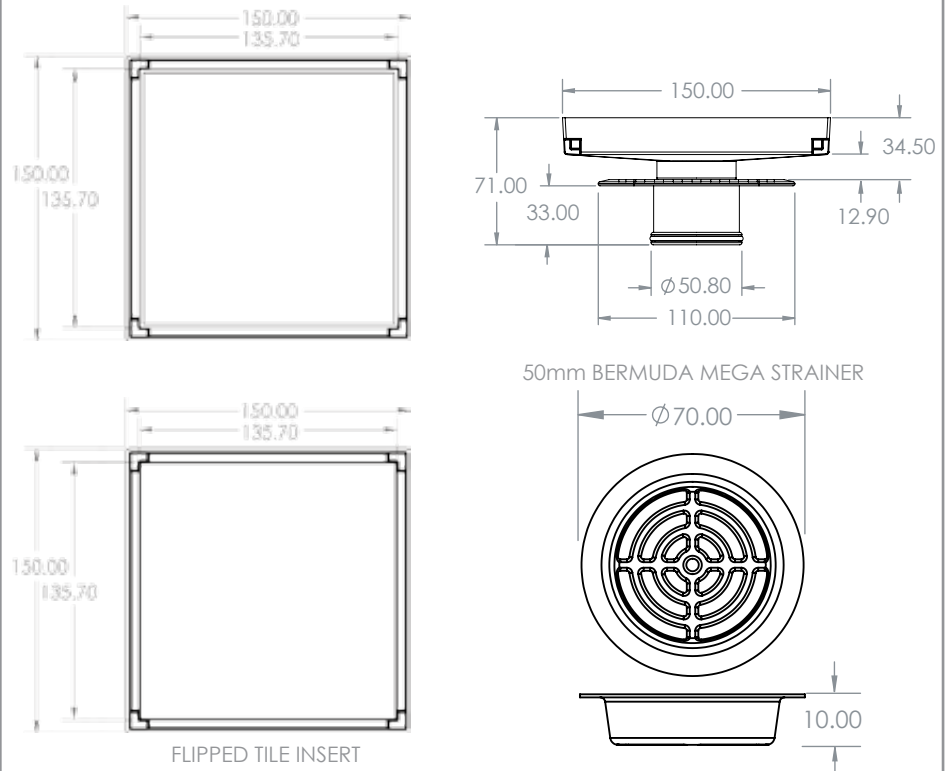
100mm BERMUDA STRAINER*



FLIPPED TILE INSERT

- | | | |
|---------------|-----------------------|------------|
| 1 tile | 4 undercap | 7 membrane |
| 2 tile insert | 5 Megaflex base | 8 concrete |
| 3 waste body | 6 screed (mortar bed) | 9 pipe |

50mm CONNECTION



TECHNICAL SPECIFICATION

FLOW RATE:

50mm connection: > 60L/min

MATERIAL(s):

Tile Insert: DZR Brass
Base: DZR Brass
Strainer*: Polypropylene

STANDARD FINISH: Chrome Plated
(ASTD 1192-2004)

PRODUCT CODE

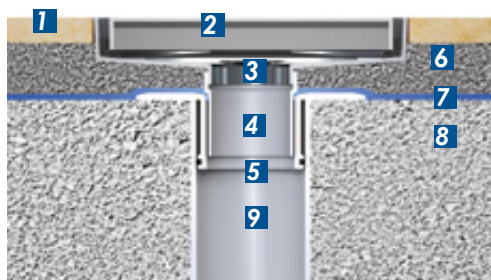
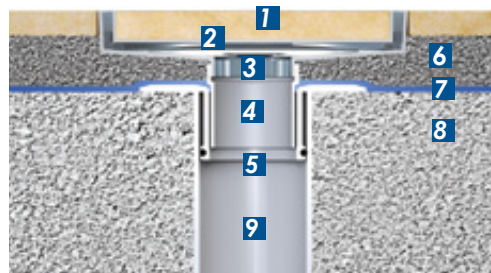
50mm CONNECTION

FWBERMEGAFLIP50CP (chrome)
FWBERMEGAFLIP50BC (black chrome)
FWBERMEGAFLIP50SC (satin chrome)
FWBERMEGAFLIP50GP (gold plate)
FWBERMEGAFLIP50PB (polished brass)

RECOMMENDED

TILE INSERT DIMENSION:
130 x 130

UNLESS OTHERWISE STATED
ALL DIMENSIONS IN MILLIMETRES



FLIPPED TILE INSERT

- | | | |
|---------------|-----------------------|------------|
| 1 tile | 4 undercap | 7 membrane |
| 2 tile insert | 5 Megaflex base | 8 concrete |
| 3 waste body | 6 screed (mortar bed) | 9 pipe |

BERMUDA

LEAK CONTROL

BERMUDA LEAK CONTROL FLOOR GRATE

Sharing the same body and face dimension of the 100mm x 100mm Bermuda Mega and the New Round Bermuda Floor Grate, the Bermuda Leak Control Flange incorporate our innovative waterproofing technology; the Leak Control Flange.

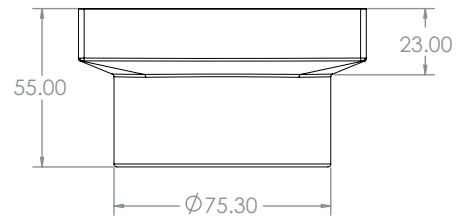
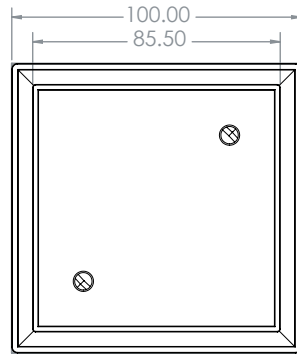
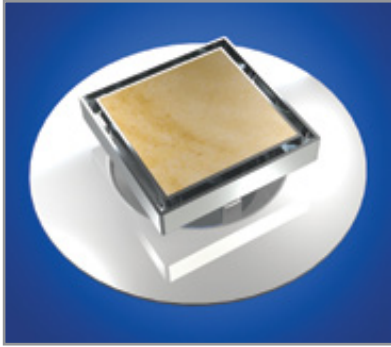
Available to fit the 80mm or 50mm leak control flange, the Bermuda Leak Control Floor Grates comes with a stainless strainer.

Also available in five different finishes:

- Chrome (standard)
- Satin Chrome
- Polished Brass
- Black Chrome
- Gold Plate



BERMUDA LEAK CONTROL FLOOR GRATE



FLIPPED TILE INSERT

TECHNICAL SPECIFICATION

FLOW RATE: > 90L/min

MATERIAL(s):

Tile Insert: DZR Brass
Base: DZR Brass
Strainer*: Polypropylene

STANDARD FINISH: Chrome Plated (ASTD 1192-2004)

APPROVAL:



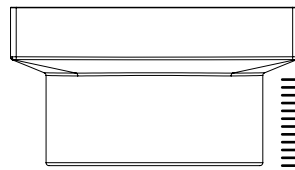
PRODUCT CODE

100mm CONNECTION

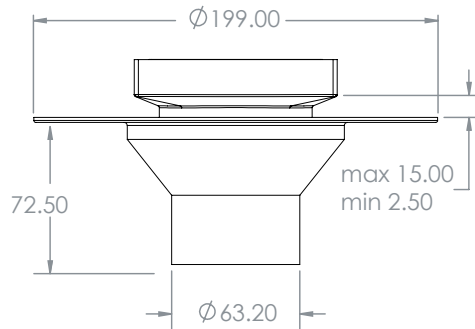
FWBER80P/FLCP (chrome)
FWBER80P/FLBC (black chrome)
FWBER80P/FLSC (satin chrome)
FWBER80P/FLGP (gold plate)
FWBER80P/FLPB (polished brass)

RECOMMENDED
TILE INSERT DIMENSION:
80 x 80

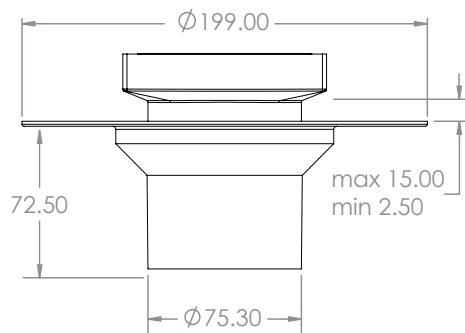
UNLESS OTHERWISE STATED
ALL DIMENSIONS IN MILLIMETRES



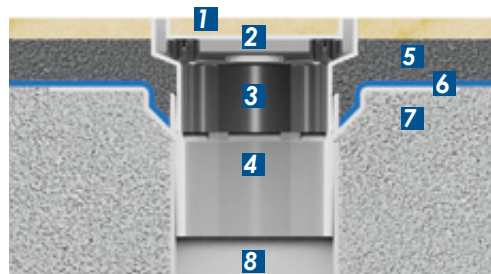
tail can be cut off to suit height requirement



Fitted into
80x50mm Leak Control Flange



Fitted into
80mm Leak Control Flange



Shown fitted into 80mm Leak Control Flange

- | | | |
|----------------------|------------------------------|-------------------|
| 1 tile | 4 Leak Control Flange | 7 concrete |
| 2 tile insert | 5 screed (mortar bed) | 8 pipe |
| 3 waste body | 6 membrane | |

BERMUDA LEAK CONTROL ROUND FLOOR GRATE

100mm CONNECTION



TECHNICAL SPECIFICATION

FLOW RATE: >70L/min

MATERIAL(s):

Tile Insert: DZR Brass
 Body: DZR Brass
 Undercap: Polypropylene
 Megaflex Base: A.B.S.

STANDARD FINISH: Chrome Plated (ASTD 1192-2004)

APPROVAL:

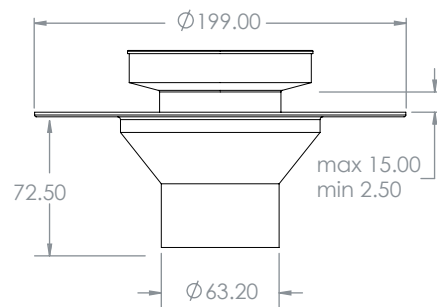
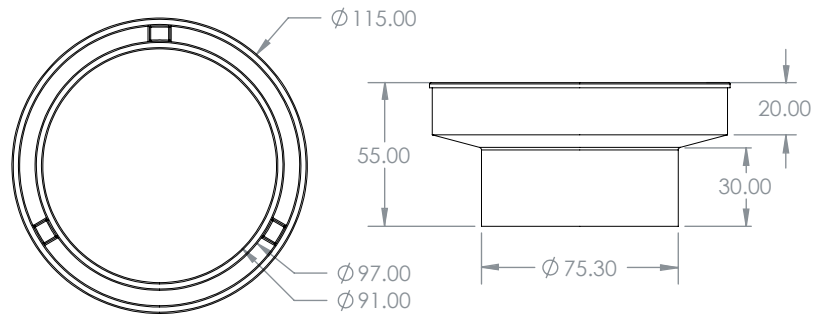


PRODUCT CODE

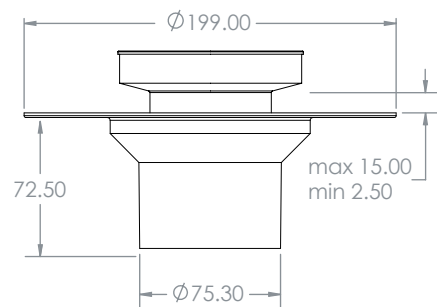
FWBERP/FRNDPC (chrome)
 FWBERP/FRNDBC (black chrome)
 FWBERP/FRNDSC (satin chrome)
 FWBERP/FRNDGP (gold plate)
 FWBERP/FRNDPB (polished brass)

RECOMMENDED

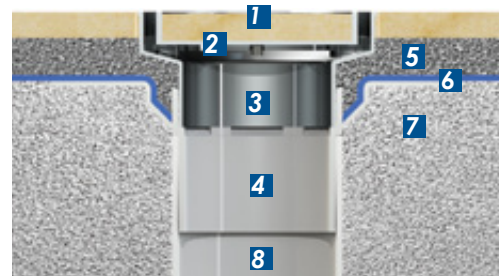
TILE INSERT DIMENSION: Ø 89



Fitted into
80x50mm Leak Control Flange



Fitted into
80mm Leak Control Flange



- | | | |
|---------------|-----------------------|-----------------|
| 1 tile | 4 Leak Control Flange | 7 concrete slab |
| 2 tile insert | 5 screed (mortar bed) | 8 pipe |
| 3 waste body | 6 membrane | |

A dark, monochromatic photograph of a bathroom. In the foreground, a long, rectangular, stainless steel floor grate with three circular holes is shown at an angle. The grate is mounted on a small metal stand. In the background, a toilet, a sink with a faucet, and a brown bath mat are visible. The overall lighting is low, creating a professional and modern aesthetic.

BERMUDA CHANNEL

BERMUDA CHANNEL FLOOR GRATE

The Bounty Bermuda Channel Floor Grate range offers clean lines and superior durability that only 316 stainless steel can deliver. Incorporating our industry leading Megaflex leak control flange, it ensures a total solution for your project. Perfect installation is no longer impossible with the adjustability of height and tilt, while enabling positive engagement with your waterproof membrane for total peace of mind.

Fully customisable – the Bounty Bermuda Channel Floor Grate can be made to any size your project requires, and also comes in standard lengths of 300mm, 600mm, 900mm and 1200mm at a width of 100mm.



The Bounty Bermuda Channel features stainless steel legs with a rubber nipple attached to each leg. An innovative supporting and locating system, the legs provide strength, whilst the rubber nipples firmly centralise the insert tray to ensure uniform waterway and a coordinated look.

Each floor grate comes with a removable stainless steel strainer and a Megaflex leak control flange.



BERMUDA CHANNEL FLOOR GRATE



TECHNICAL SPECIFICATION

FLOW RATES:

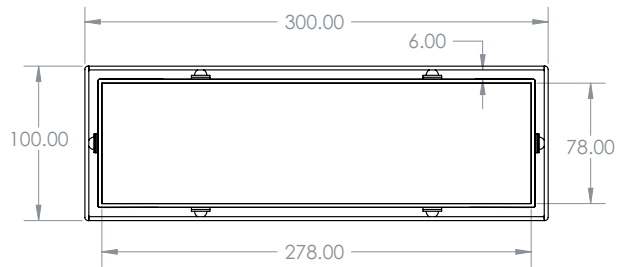
- 80mm Connection: >45L/min
- 50mm Connection: >45L/min

MATERIAL(s):

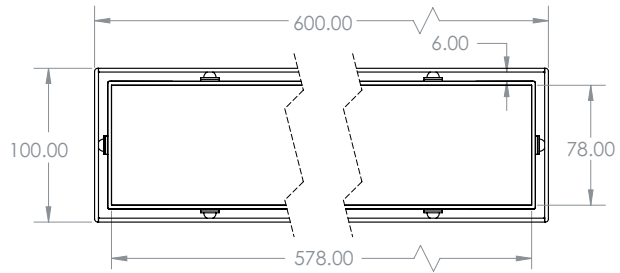
- Insert Tray: 316 Stainless Steel
- Body: 316 Stainless Steel
- Megaflex Base: A.B.S.
- Strainer: Stainless Steel

STANDARD FINISH: Polished

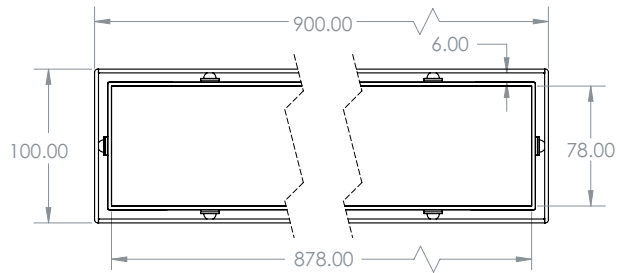
300mm x 100mm FLOOR GRATE



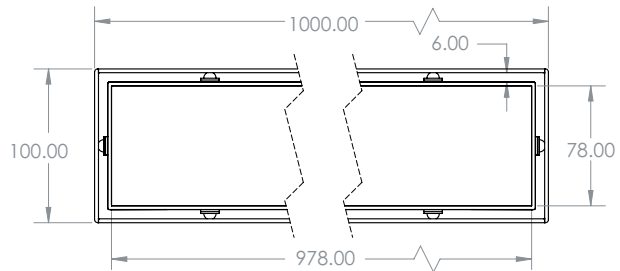
600mm x 100mm FLOOR GRATE



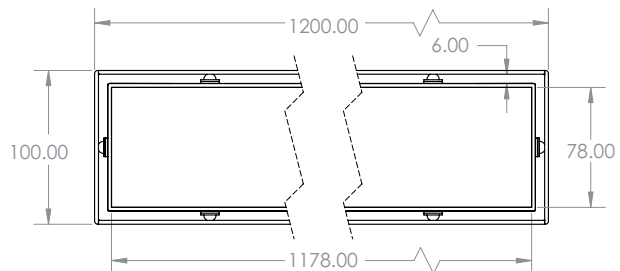
900mm x 100mm FLOOR GRATE



1000mm x 100mm FLOOR GRATE



1200mm x 100mm FLOOR GRATE

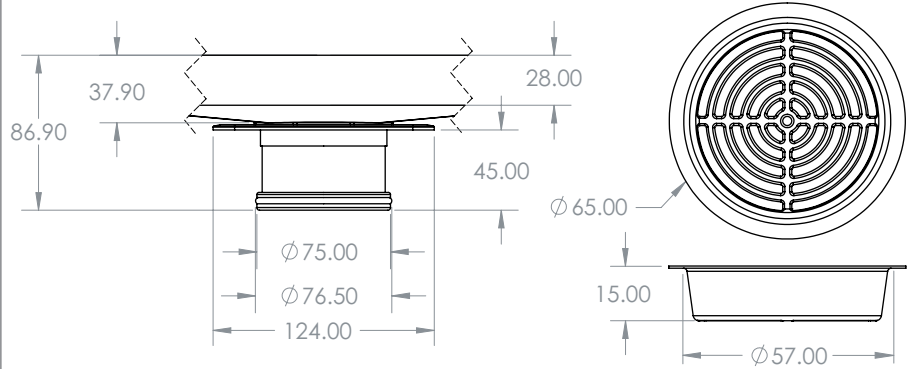


UNLESS OTHERWISE STATED
ALL DIMENSIONS IN MILLIMETRES

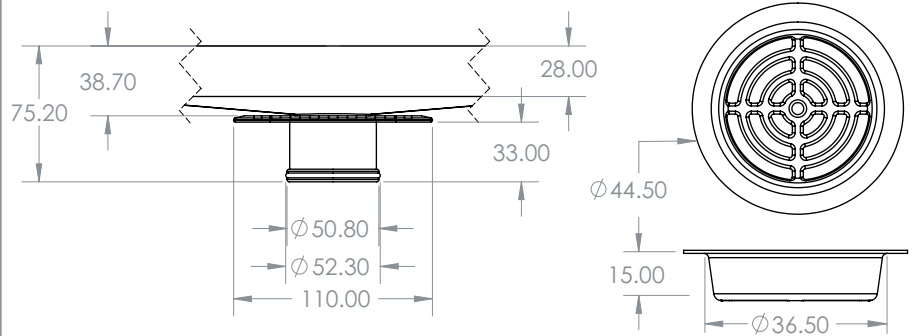
SIZES CAN BE CUSTOMIZED TO REQUIREMENT

BERMUDA CHANNEL FLOOR GRATE

80mm CONNECTION (80mm Strainer included)



50mm CONNECTION (50mm Strainer included)



PRODUCT CODES

300mm x 100mm FLOOR GRATES

FWBERCH30050 (50mm connection)
FWBERCH30080 (80mm connection)

600mm x 100mm FLOOR GRATES

FWBERCH60050 (50mm connection)
FWBERCH60080 (80mm connection)

900mm x 100mm FLOOR GRATES

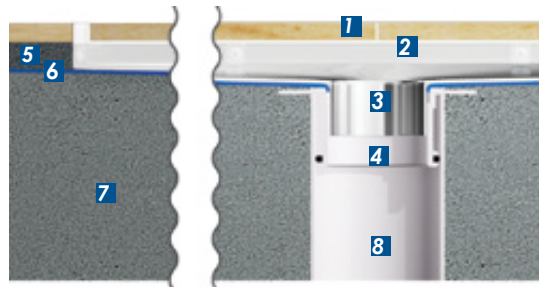
FWBERCH90050 (50mm connection)
FWBERCH90080 (80mm connection)

1000mm x 100mm FLOOR GRATES

FWBERCH100050 (50mm connection)
FWBERCH100080 (80mm connection)

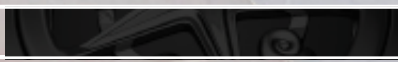
1200mm x 100mm FLOOR GRATES

FWBERCH120050 (50mm connection)
FWBERCH120080 (80mm connection)



- | | | |
|---------------|-----------------------|-----------------|
| 1 Tile | 4 Megaflex base | 7 concrete slab |
| 2 Insert tray | 5 screed (mortar bed) | 8 pipe |
| 3 Body | 6 membrane | |

UNLESS OTHERWISE STATED
ALL DIMENSIONS IN MILLIMETRES





SQUARE ON SQUARE

SQUARE ON SQUARE FLOOR GRATE

The Bounty Square on Square Floor Grate range offers clean lines and superior durability that only 316 stainless steel can deliver. Incorporating our industry leading Megaflex leak control flange and undercap mortar exclusion device, it ensures a total solution for your project. Perfect installation is no longer impossible with the adjustability of height and tilt while enabling positive engagement with your waterproof membrane for total peace of mind.

No longer will you be forced to use a round waste in a square body that just does not fit with the design aesthetic of your project. No more square pegs in round holes! The Bounty Square on Square Mega Floor Grate delivers a truly square floor grate.



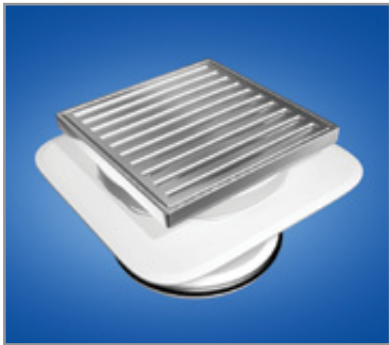
The stainless steel Square on Square floor grates are available in:

- Polished stainless steel finish (standard)
- Satin stainless steel finish

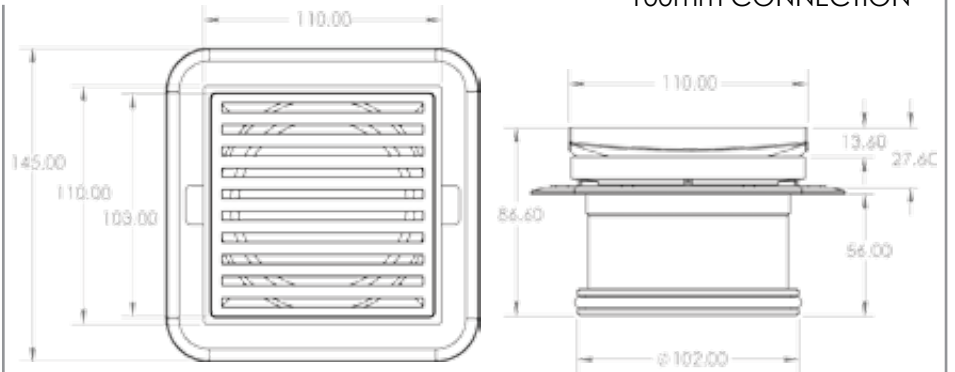




SQUARE ON SQUARE FLOOR GRATE



100mm CONNECTION



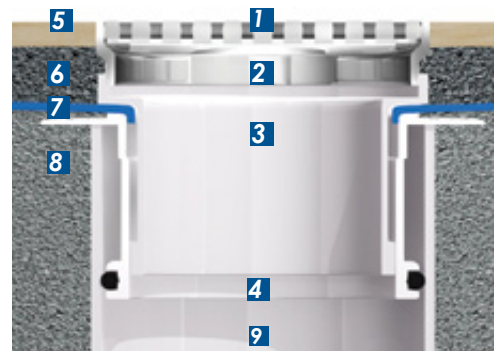
TECHNICAL SPECIFICATION

MATERIAL(s):

Grate: 316 Stainless Steel
 Base: 316 Stainless Steel
 Undercap: Polypropylene
 Megaflex Base: A.B.S.

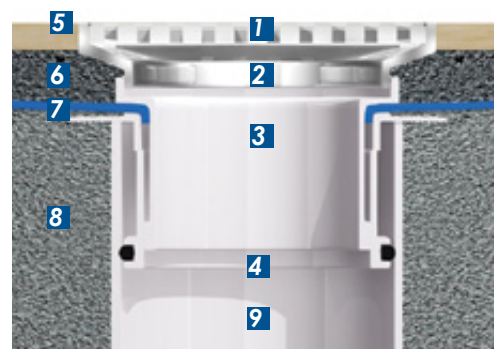
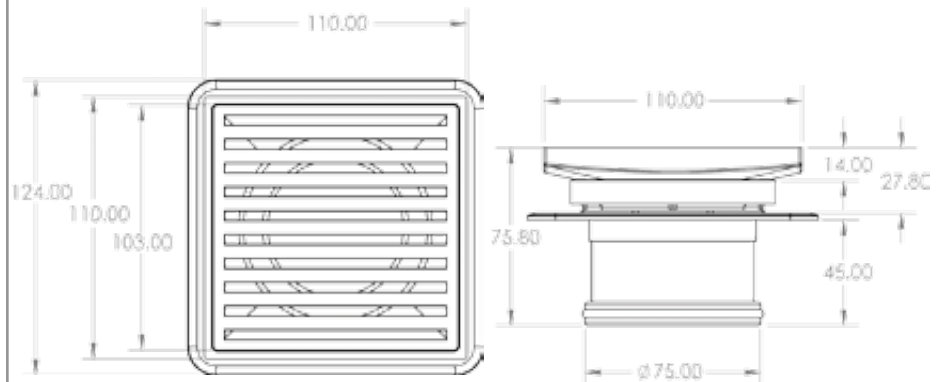
STANDARD FINISH: Polished

APPROVAL:



- | | | |
|------------|-----------------------|-----------------|
| 1 grate | 4 Megaflex base | 7 membrane |
| 2 base | 5 Tile | 8 concrete slab |
| 3 undercap | 6 screed (mortar bed) | 9 pipe |

80mm CONNECTION



- | | | |
|------------|-----------------------|-----------------|
| 1 grate | 4 Megaflex base | 7 membrane |
| 2 base | 5 Tile | 8 concrete slab |
| 3 undercap | 6 screed (mortar bed) | 9 pipe |

PRODUCT CODE

100mm CONNECTION
 FWSS100SQSQSC (satin)
 FWSS100SQSQPOL (polished)

80mm CONNECTION
 FWSS80SQSQSC (satin)
 FWSS80SQSQPOL (polished)

UNLESS OTHERWISE STATED
 ALL DIMENSIONS IN MILLIMETRES



CLASSIC

CLASSIC FLOOR GRATE

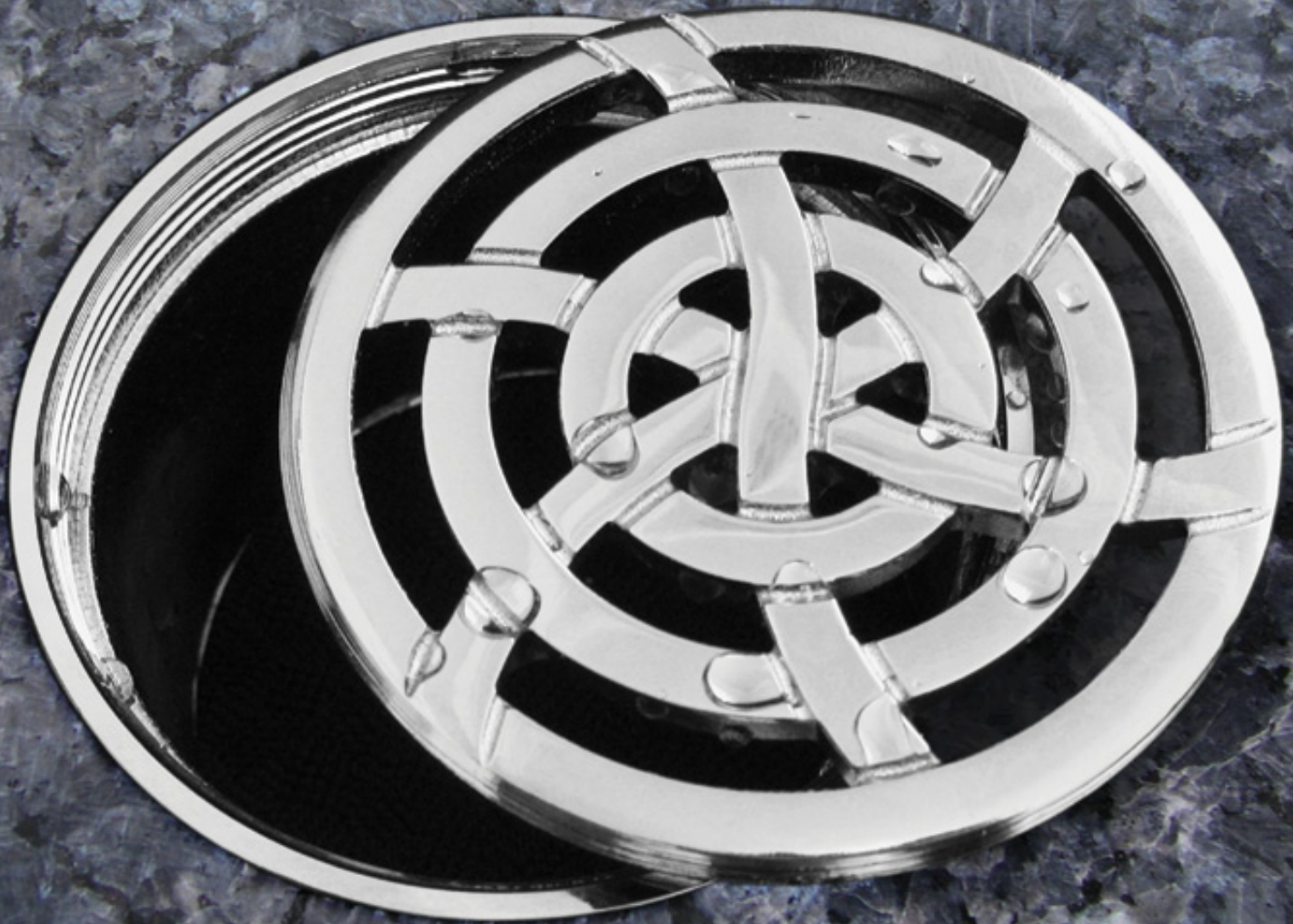
A floor grate does not have to be just a floor grate. Whilst keeping the durability, high quality and careful manufacturing processes, the designer brass Bounty Classic range provides the harmony between aesthetic and functionality with its uniquely timeless and thematic designs.



'FEDERATION'

'CLASSIC'

'RIPPLE'



'PLAIT'



'STARFISH'

The Bounty Classic range is available in five different finishes:

- Chrome (standard)
- Satin Chrome
- Polished Brass
- Black Chrome
- Gold Plate

All Bounty Classic designs are available with either round or square base.

FEDERATION FLOOR GRATE



TECHNICAL SPECIFICATION

MATERIAL(s):

Grate: DZR Brass
Base: DZR Brass

STANDARD FINISH: Chrome
(ASTD 1192-2004)

APPROVAL:



PRODUCT CODE

100mm CONNECTION

FWCLFD100CP (chrome)
FWCLFD100BC (black chrome)
FWCLFD100SC (satin chrome)
FWCLFD100GP (gold plate)
FWCLFD100PB (polished brass)

80mm CONNECTION

FWCLFD80CP (chrome)
FWCLFD80BC (black chrome)
FWCLFD80SC (satin chrome)
FWCLFD80GP (gold plate)
FWCLFD80PB (polished brass)

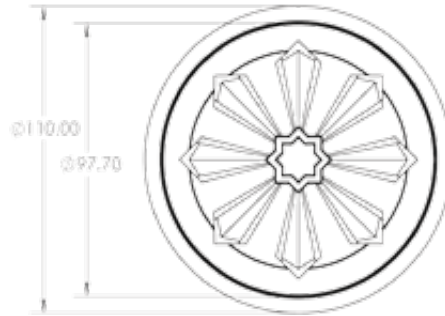
80x50mm CONNECTION

FWCLFD8050CP (chrome)
FWCLFD8050BC (black chrome)
FWCLFD8050SC (satin chrome)
FWCLFD8050GP (gold plate)
FWCLFD8050PB (polished brass)

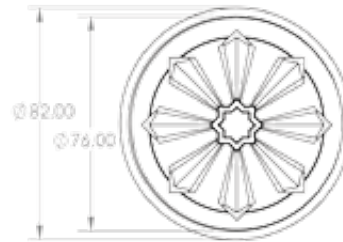
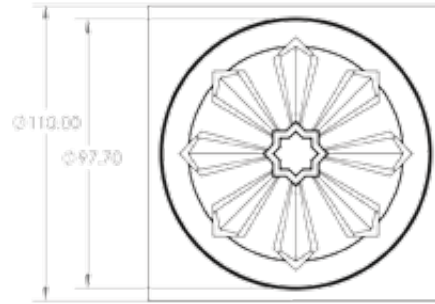
*The shape of the base will be specified

within the code as:
SQ (Square base)
RND (Round base)

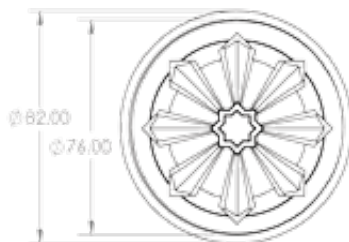
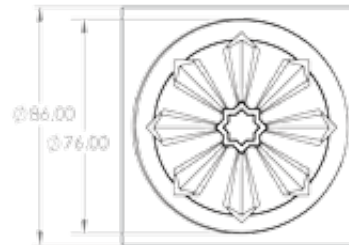
UNLESS OTHERWISE STATED
ALL DIMENSIONS IN MILLIMETRES



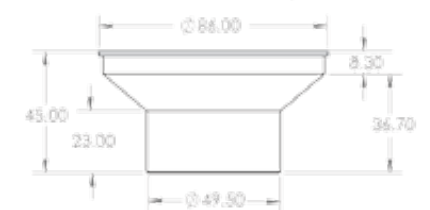
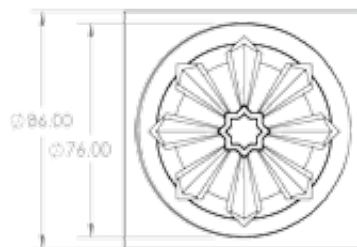
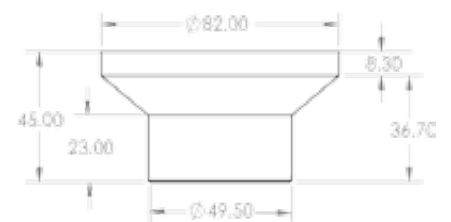
100mm CONNECTION



80mm CONNECTION



80X50mm CONNECTION



CLASSIC FLOOR GRATE



TECHNICAL SPECIFICATION

MATERIAL(s):

Grate: DZR Brass
Base: DZR Brass

STANDARD FINISH: Chrome
(ASTD 1192-2004)

APPROVAL:



PRODUCT CODE

100mm CONNECTION

- FWCL100CP (chrome)
- FWCL100BC (black chrome)
- FWCL100SC (satin chrome)
- FWCL100GP (gold plate)
- FWCL100PB (polished brass)

80mm CONNECTION

- FWCL80CP (chrome)
- FWCL80BC (black chrome)
- FWCL80SC (satin chrome)
- FWCL80GP (gold plate)
- FWCL80PB (polished brass)

80x50mm CONNECTION

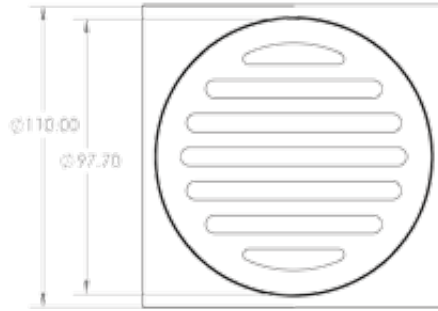
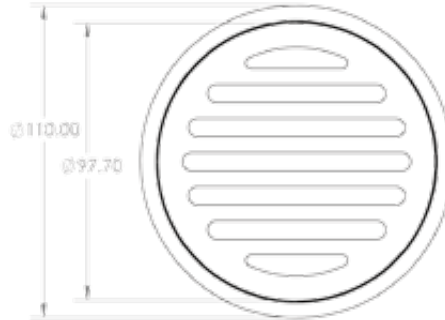
- FWCL8050CP (chrome)
- FWCL8050BC (black chrome)
- FWCL8050SC (satin chrome)
- FWCL8050GP (gold plate)
- FWCL8050PB (polished brass)

*The shape of the base will be specified

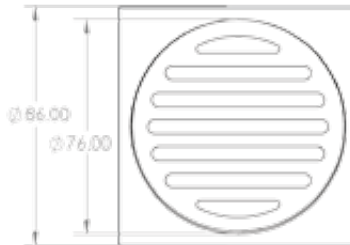
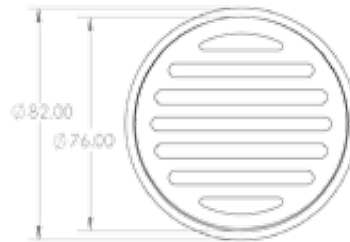
- within the code as:
- SQ (Square base)
- RND (Round base)

UNLESS OTHERWISE STATED
ALL DIMENSIONS IN MILLIMETRES

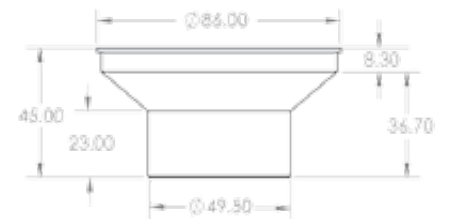
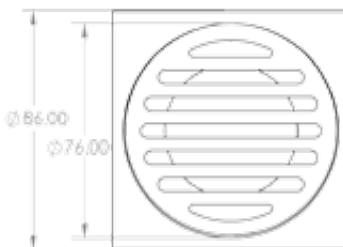
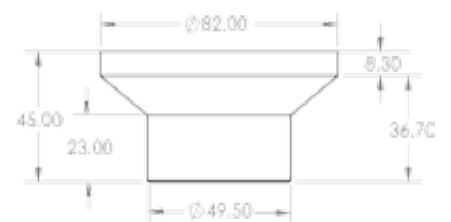
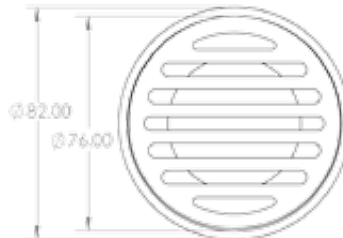
100mm CONNECTION



80mm CONNECTION



80X50mm CONNECTION



RIPPLE FLOOR GRATE



TECHNICAL SPECIFICATION

MATERIAL(s):

Grate: DZR Brass
Base: DZR Brass

STANDARD FINISH: Chrome
(ASTD 1192-2004)

APPROVAL:



PRODUCT CODE

100mm CONNECTION

FWCLRP100CP (chrome)
FWCLRP100BC (black chrome)
FWCLRP100SC (satin chrome)
FWCLRP100GP (gold plate)
FWCLRP100PB (polished brass)

80mm CONNECTION

FWCLRP80CP (chrome)
FWCLRP80BC (black chrome)
FWCLRP80SC (satin chrome)
FWCLRP80GP (gold plate)
FWCLRP80PB (polished brass)

80x50mm CONNECTION

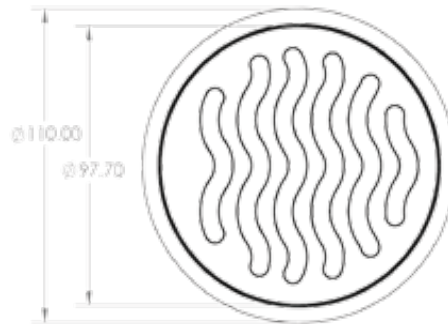
FWCLRP8050CP (chrome)
FWCLRP8050BC (black chrome)
FWCLRP8050SC (satin chrome)
FWCLRP8050GP (gold plate)
FWCLRP8050PB (polished brass)

*The shape of the base will be specified

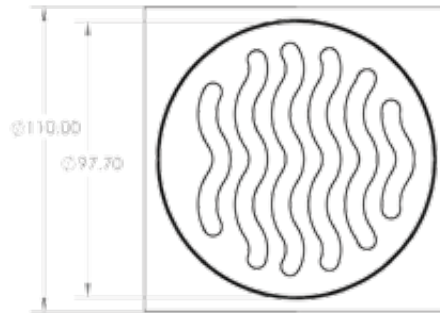
within the code as:

SQ (Square base)
RND (Round base)

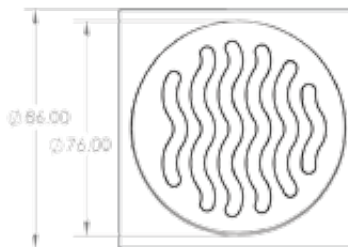
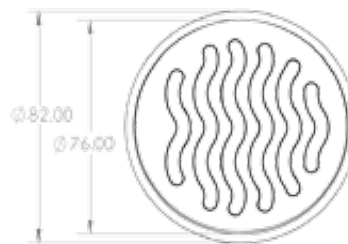
UNLESS OTHERWISE STATED
ALL DIMENSIONS IN MILLIMETRES



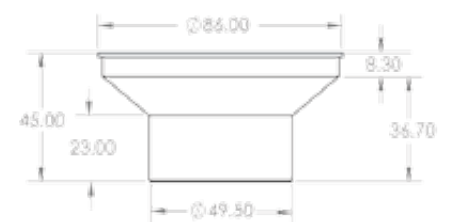
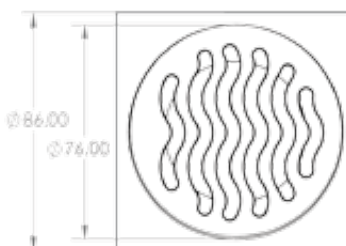
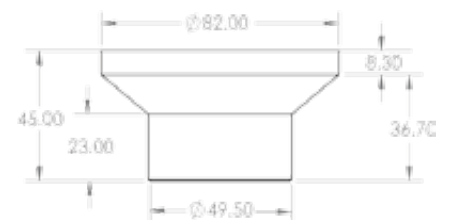
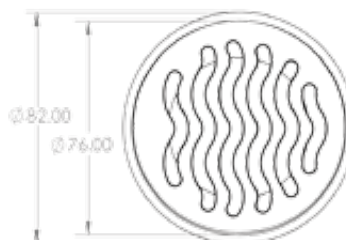
100mm CONNECTION



80mm CONNECTION



80X50mm CONNECTION



PLAIT FLOOR GRATE



TECHNICAL SPECIFICATION

MATERIAL(s):

Grate: DZR Brass
Base: DZR Brass

STANDARD FINISH: Chrome
(ASTD 1192-2004)

APPROVAL:



PRODUCT CODE

100mm CONNECTION

FWCLPL100CP (chrome)
FWCLPL100BC (black chrome)
FWCLPL100SC (satin chrome)
FWCLPL100GP (gold plate)
FWCLPL100PB (polished brass)

80mm CONNECTION

FWCLPL80CP (chrome)
FWCLPL80BC (black chrome)
FWCLPL80SC (satin chrome)
FWCLPL80GP (gold plate)
FWCLPL80PB (polished brass)

80x50mm CONNECTION

FWCLPL8050CP (chrome)
FWCLPL8050BC (black chrome)
FWCLPL8050SC (satin chrome)
FWCLPL8050GP (gold plate)
FWCLPL8050PB (polished brass)

*The shape of the base will be specified

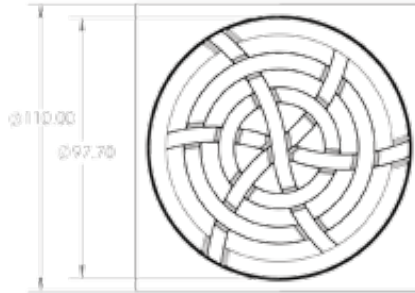
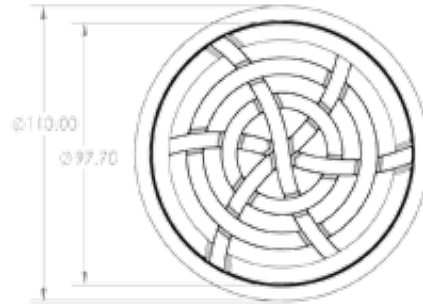
within the code as:

SQ (Square base)

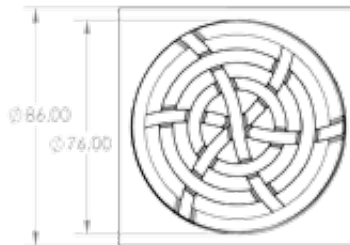
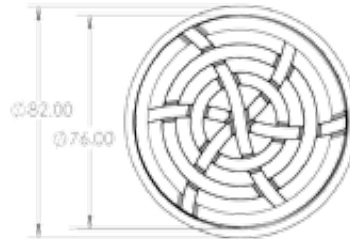
RND (Round base)

UNLESS OTHERWISE STATED
ALL DIMENSIONS IN MILLIMETRES

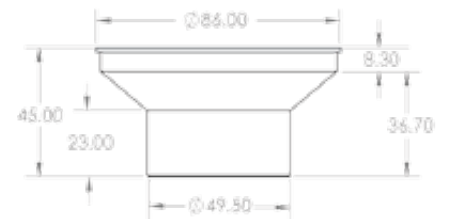
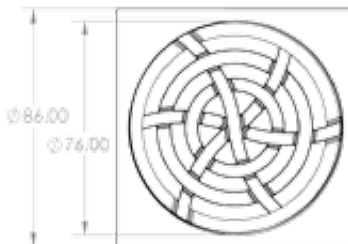
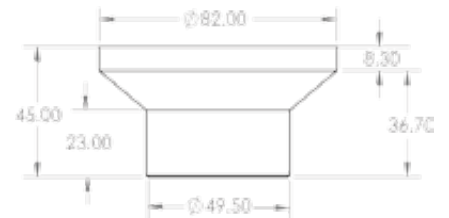
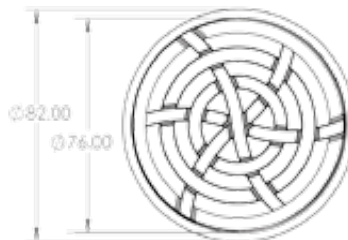
100mm CONNECTION



80mm CONNECTION



80X50mm CONNECTION



STARFISH FLOOR GRATE



TECHNICAL SPECIFICATION

MATERIAL(s):

Grate: DZR Brass
Base: DZR Brass

STANDARD FINISH: Chrome
(ASTD 1192-2004)

APPROVAL:



PRODUCT CODE

100mm CONNECTION

FWCLSF100CP (chrome)
FWCLSF100BC (black chrome)
FWCLSF100SC (satin chrome)
FWCLSF100GP (gold plate)
FWCLSF100PB (polished brass)

80mm CONNECTION

FWCLSF80CP (chrome)
FWCLSF80BC (black chrome)
FWCLSF80SC (satin chrome)
FWCLSF80GP (gold plate)
FWCLSF80PB (polished brass)

80x50mm CONNECTION

FWCLSF8050CP (chrome)
FWCLSF8050BC (black chrome)
FWCLSF8050SC (satin chrome)
FWCLSF8050GP (gold plate)
FWCLSF8050PB (polished brass)

*The shape of the base will be specified

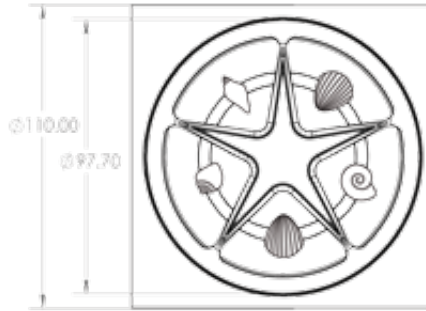
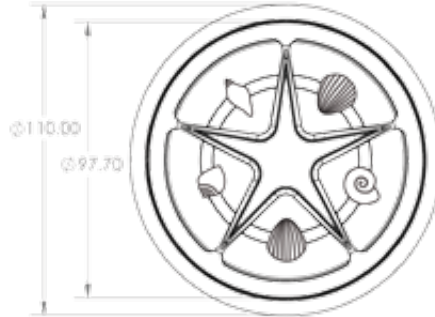
within the code as:

SQ (Square base)

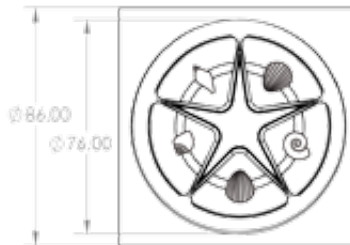
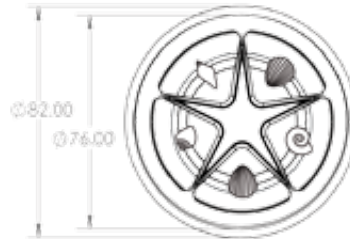
RND (Round base)

UNLESS OTHERWISE STATED
ALL DIMENSIONS IN MILLIMETRES

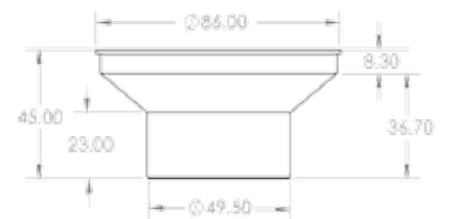
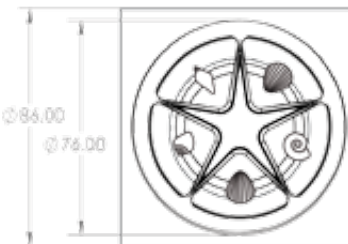
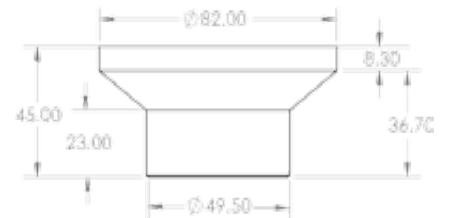
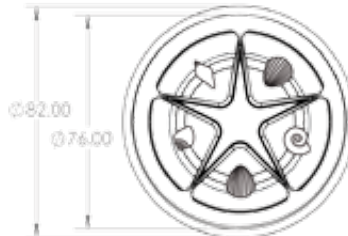
100mm CONNECTION



80mm CONNECTION



80X50mm CONNECTION





SS316

SS316 FLOOR GRATE

The Bounty SS316 Floor Grate range gives the greatest peace of mind of any floor waste available. Made from marine grade 316 Stainless Steel, these grates will not rust, peel or tarnish.

Available in either Round or Square, sizes include 100mm, 80mm, 80mm x 50mm and 50mm (Australian sizes). Also available, the 100mm version with the renowned Mega Flex leak control system.

SS316 FLOOR GRATE



TECHNICAL SPECIFICATION

MATERIAL(s):

Grate: 316 Stainless Steel
Base: 316 Stainless Steel

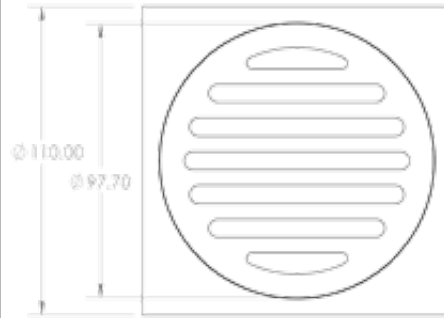
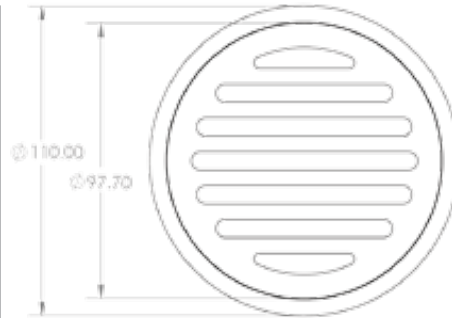
STANDARD FINISH: Polished

APPROVAL:

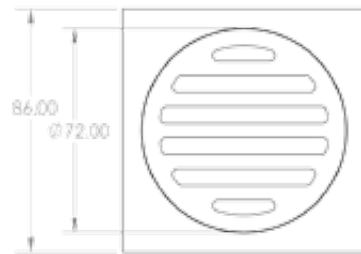
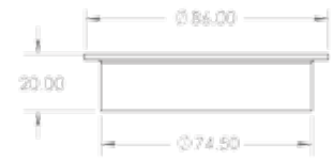
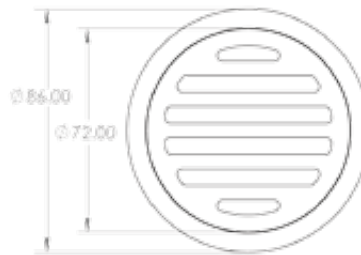


*All floor grates under this range including the clear out, the 100mm Megaflex floor grate and the Vinyl floor grate are watermark certified, with the exception of the 50mm connection which is not required.

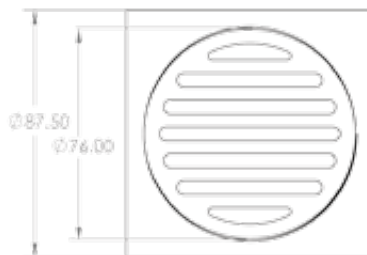
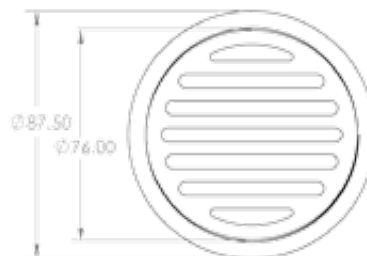
100mm CONNECTION



80mm CONNECTION



80mm LONGTAIL CONNECTION



PRODUCT CODE

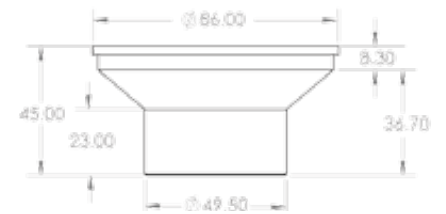
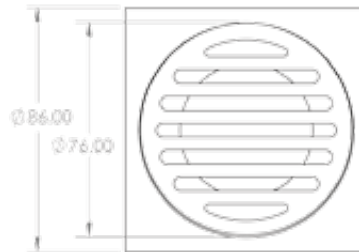
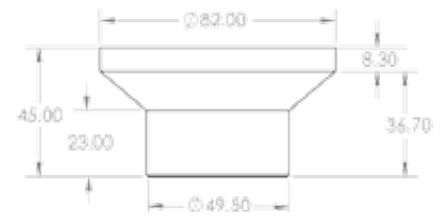
100mm CONNECTION
FWSS100RD (ROUND)
FWSS100SQ (SQUARE)

80mm CONNECTION
FWSS80RD (ROUND)
FWSS80SQ (SQUARE)

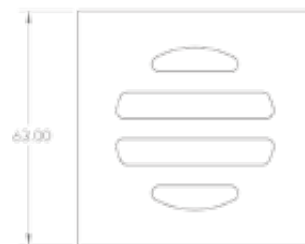
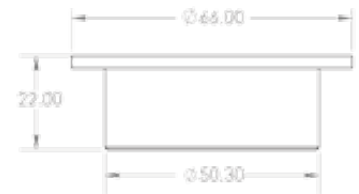
80mm LONGTAIL CONNECTION
FWSS80LTRD (ROUND)
FWSS80LTSQ (SQUARE)

UNLESS OTHERWISE STATED
ALL DIMENSIONS IN MILLIMETRES

80x50mm CONNECTION



50mm CONNECTION

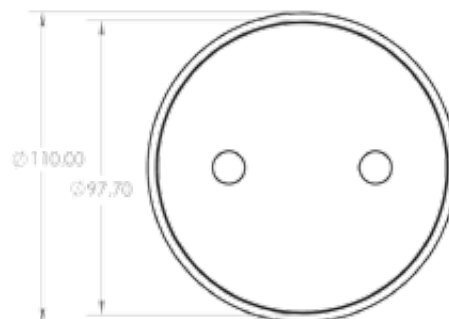


PRODUCT CODE

80x50mm CONNECTION
 FWSS8050RD (ROUND)
 FWSS8050SQ (SQUARE)

50mm CONNECTION
 FWSS50RD (ROUND)
 FWSS50SQ (SQUARE)

SS316 CLEAR OUT



PRODUCT CODE

FWSSCO100RD

UNLESS OTHERWISE STATED
 ALL DIMENSIONS IN MILLIMETRES

100mm SS316 MEGAFLEX FLOOR GRATE



TECHNICAL SPECIFICATION

MATERIAL(s):

Grate & Base: 316 Stainless Steel
 Undercap: Polypropylene
 Megaflex Base: A.B.S.

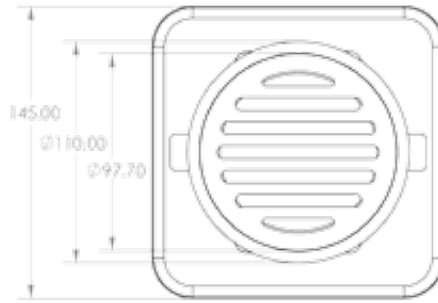
STANDARD FINISH: Polished

APPROVAL:

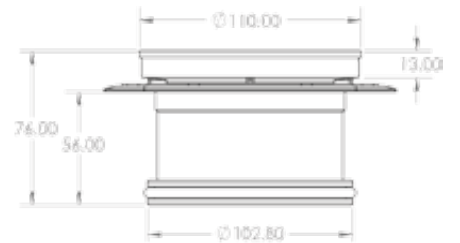
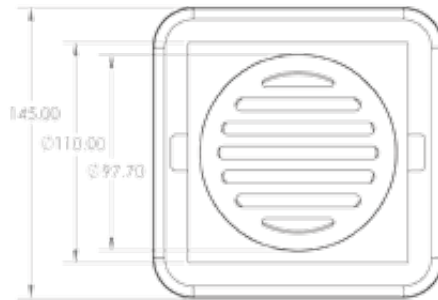
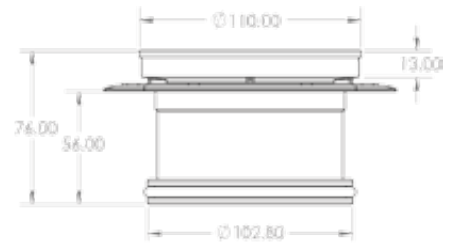


PRODUCT CODE

FWSS100RDMEGA (ROUND)
 FWSS100SQMEGA (SQUARE)



100mm CONNECTION



SS316 VINYL FLOOR GRATE



TECHNICAL SPECIFICATION

MATERIAL(s):

Grate & Base: 316 Stainless Steel
 Connector: A.B.S.
 Seal: Rubber

STANDARD FINISH: Polished

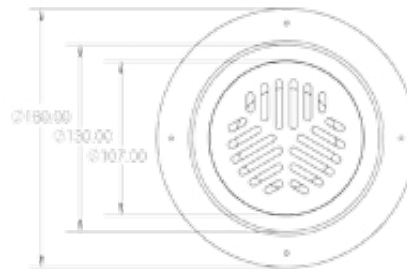
APPROVAL:



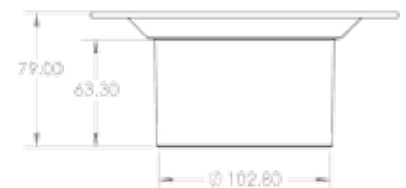
PRODUCT CODE

100mm CONNECTION
 FWSSVFW100STD
 FWSSVFW100RUBB (with seal)
 80mm CONNECTION
 FWSSVFW80STD

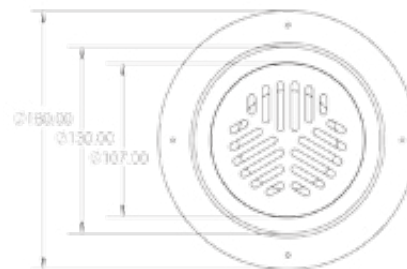
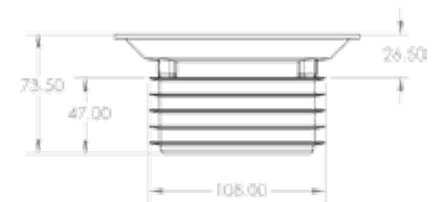
UNLESS OTHERWISE STATED
 ALL DIMENSIONS IN MILLIMETRES



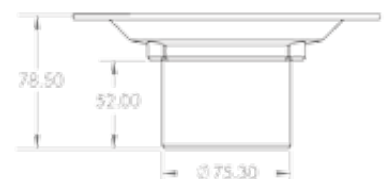
100mm CONNECTION



100mm CONNECTION with seal



80mm CONNECTION





ACCESSORIES

Bounty Brassware also provide accessories that normally comes with our quality floor grates, separately.



STRAINERS

Each Bounty Brassware floor grates come with a durable stainless steel strainer that can easily be removed for cleaning, or even for replacing. Available for all types of connection sizes by Bounty Brassware, strainers can be also be purchased separately.

HOOK A special tool designed to fit into the recess of the Bermuda floor grates to make cleaning easier.



SMELL STOPPER

The smell stopper is an innovative solution to stop foul smell from going back up into the air. Designed to fit the 100mm floor grates* and to be tightened onto our 100mm strainers, the smell stopper features a weighted flap which opens to allow access when water streams through, and close when water stops flowing.

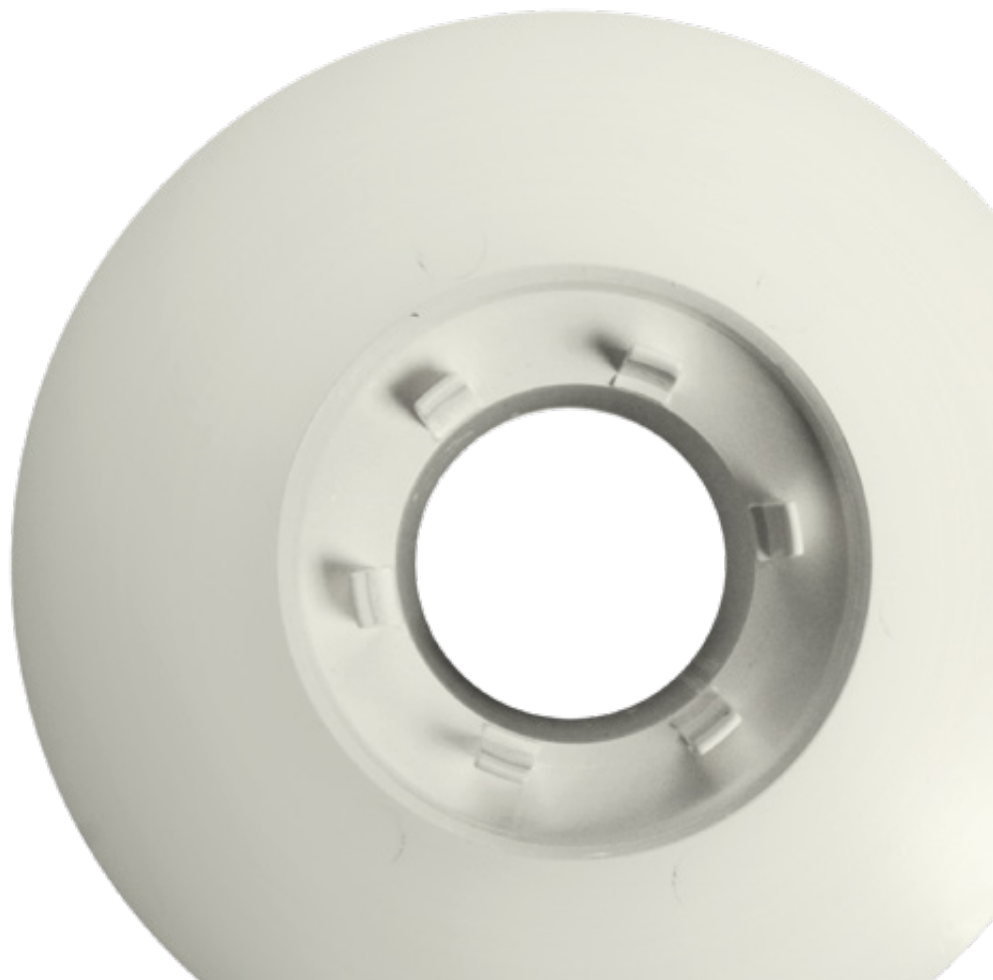


MEGAFLEX CONNECTOR

The Megaflex connectors are suited to our Mega floor grates, allowing greater adjustability and flexibility during installation. The Megaflex connectors fit tightly inside standard 50mm, 80mm and 100mm pipes.

LEAK CONTROL FLANGE

The Leak Control flanges are to suit our Leak Control floor grates. Available to fit 50mm, 80mm and 100mm pipes (100mm Leak Control flanges require adaptor to suit our brass floor wastes).



DISTRIBUTORS

INTERNATIONAL

Asia

Steldor Pte Ltd:
135 Kaki Bukit Avenue 1
Shun Li Industrial Park
Singapore 416002
Ph: 65-744 2829
Fax: 65-744 4969
Contact: Larry Tan
Email: larry@steldor.com.sg

New Zealand

Advanced Plumbing Products:
6 Melrose Street
Newmarket
Auckland, New Zealand
Ph: 09 522 1140
Fax: 09 522 1141
Contact: Paul Downey
Email: appnz@xtra.co.nz

AUSTRALIA

Western Australia

Pride Industries:
23 Munt Street
Bayswater WA 6053
Ph: +61 8 9272 6511
Fax: +61 8 9272 3427
Contact: Stephen Quinn
Email: stephen.quinn@prideindustries.com.au
Mobile: +61 438 941 309

New South Wales & ACT

Wasteland Plumbing Supplies:
134 Gilba Road
Girraween NSW 2145
Ph: +61 2 9636 2131
Fax: +61 2 9636 2498
Contact: Colin Jay
Email: colin.jay@wasteland.com.au
Mobile: +61 400 080 591

Victoria

Wasteland Plumbing Supplies:
134 Gilba Road
Girraween NSW 2145
Ph: +61 2 9636 2131
Fax: +61 2 9636 2498
Contact: Tim Lucas
Email: tim.lucas@wasteland.com.au
Mobile: +61 418 795 508

Tasmania

Wholesale Products:
4 Knoll Street
Glenorchy TAS 7010
Ph: +61 3 6273 3455
Fax: +61 3 6273 1901
Contact: Richard Lewis
Email: richard@wholesaleprods.com.au

Queensland & NT

Collis Marketing Services:
Unit 1, 10-12 Glasson Drive
Bethania QLD 4205
Ph: +61 7 3805 6664
Fax: +61 7 3805 6668
Contact: Sherryn Lehto
Email: sherryn@collismarketing.com.au
Mobile: +61 414 299 464

South Australia

Steve Molloy Agencies:
18 Main Terrace
Richmond SA 5033
Ph: +61 8 8352 8600
Fax: +61 8 8352 8622
Contact: Steve Molloy
Email: smagencies@iinet.net.au



BOUNTY BRASSWARE

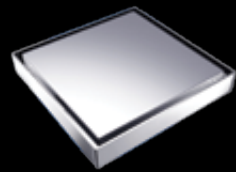
AUSTRALIAN DESIGNER FLOOR GRATES



BERMUDA RANGE
FLOOR GRATE



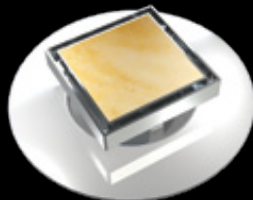
BERMUDA MEGA RANGE
FLOOR GRATE



BERMUDA FLIPPER RANGE
FLOOR GRATE



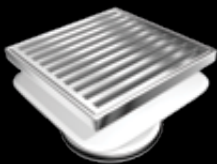
SQUARE ON SQUARE
FLOOR GRATE



SQUARE ON SQUARE
FLOOR GRATE



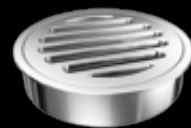
NEW ROUND BERMUDA
FLOOR GRATE



SQUARE ON SQUARE
FLOOR GRATE



CLASSIC RANGE
FLOOR GRATE



SS316 RANGE
FLOOR GRATE



Distributed by:



www.bountybrassware.com.au

Bounty Bermuda, Bermuda Mega, Bermuda Flipper, Square on Square, Classic and SS316 ranges
are designed by
Bounty Brassware

copyright © Bounty Brassware